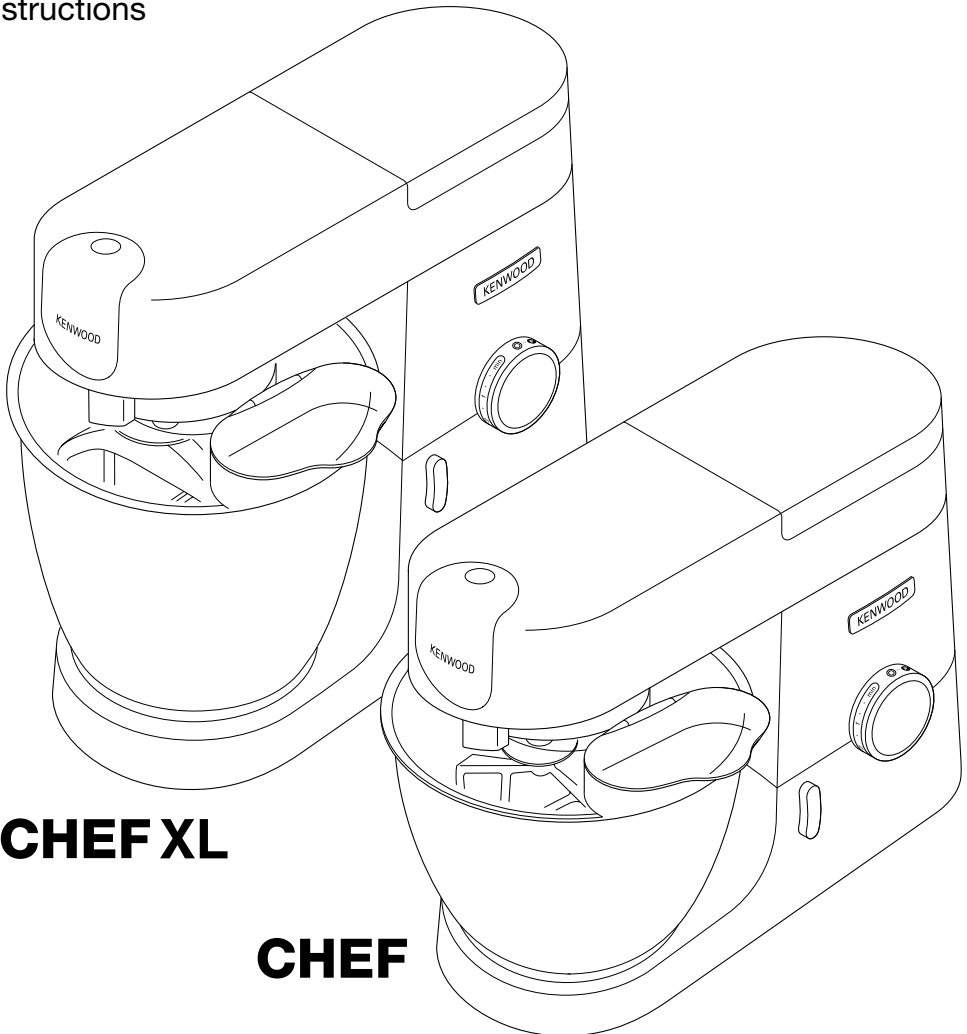


# KENWOOD

TYPE KVC30 (Chef)

TYPE KVL40 (Chef XL)

instructions



**CHEF XL**

**CHEF**

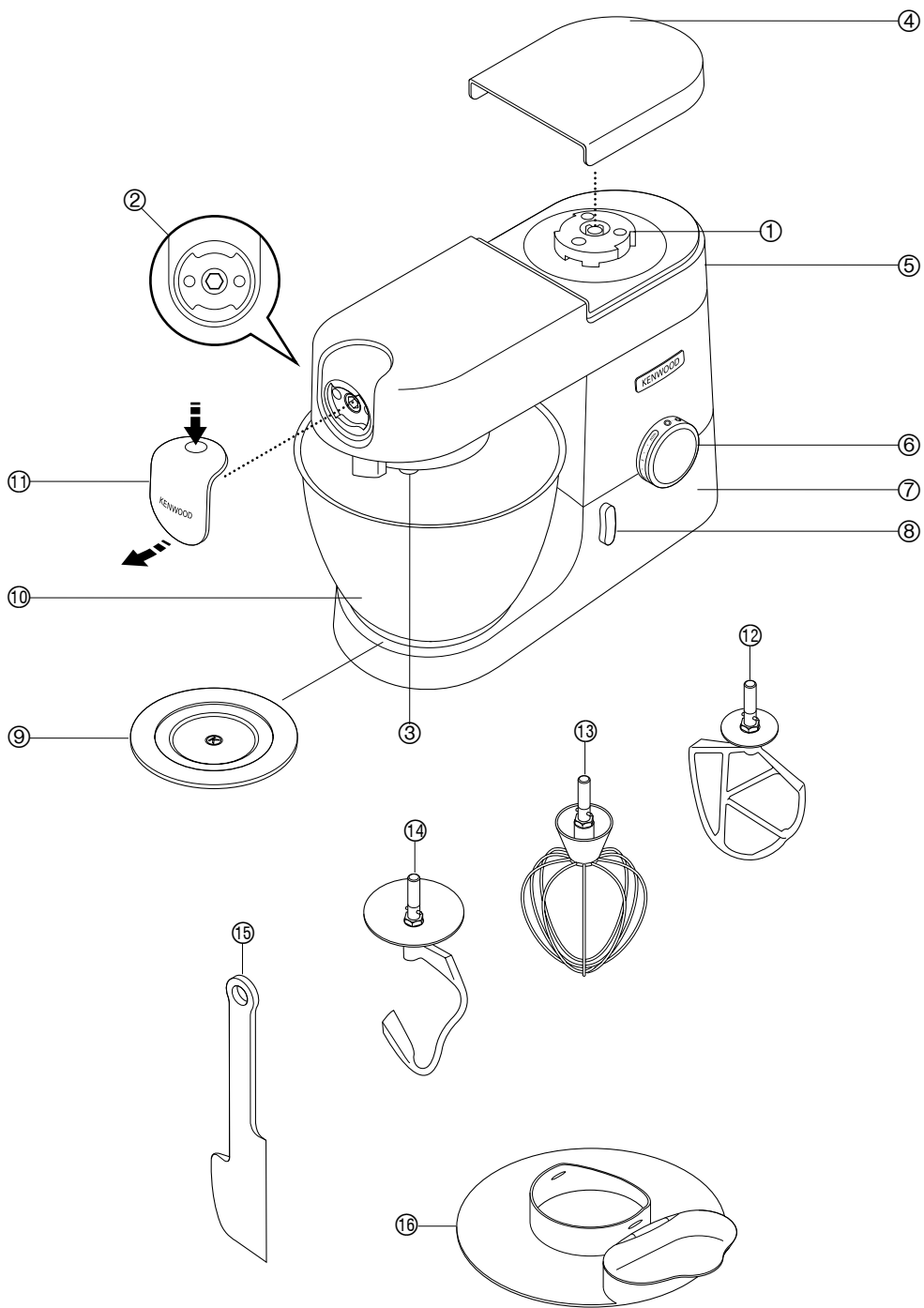
**English**

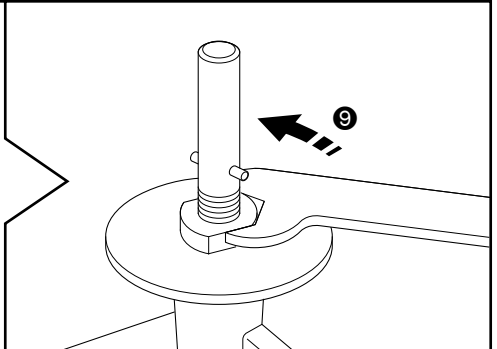
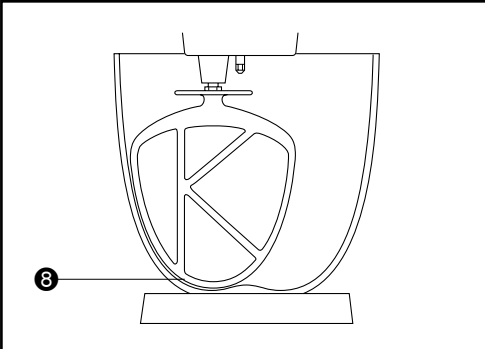
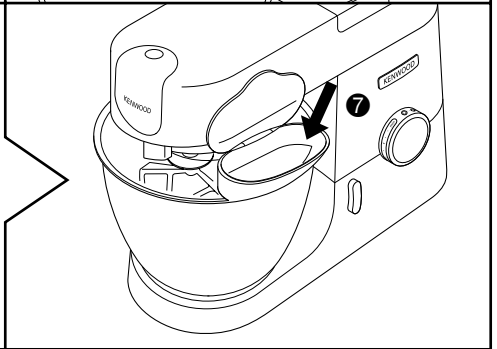
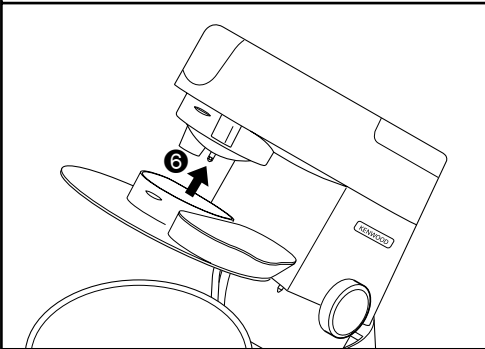
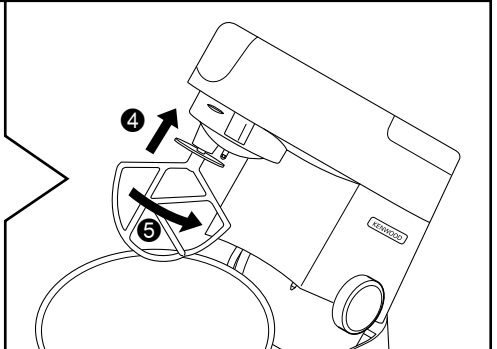
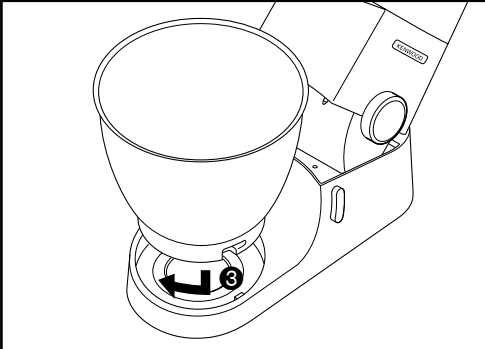
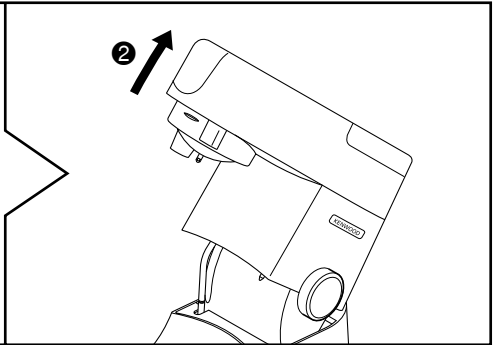
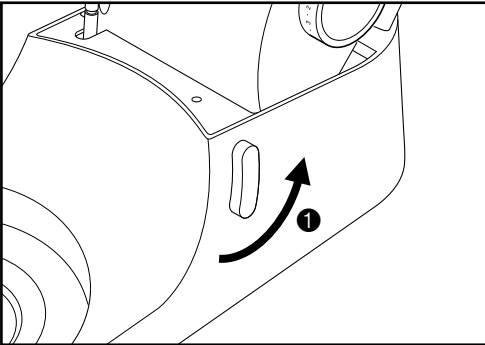
**2 - 10**

**عربي**

**١٨ - ١١**







# Know your Kenwood Kitchen Machine

Congratulations on buying a Kenwood. With such a wide range of attachments available, it is more than just a mixer. It is a state-of-the-art Kitchen Machine. We hope you will enjoy it.

Robust. Reliable. Versatile. Kenwood.

## Safety

- Read these instructions carefully and retain for future reference.
- Remove all packaging and any labels.
- If the cord is damaged it must, for safety reasons, be replaced by KENWOOD or an authorised KENWOOD repairer.
- Turn the speed control to 'O' OFF position and unplug before fitting or removing tools/attachments, after use and before cleaning.
- Keep your fingers away from moving parts and fitted attachments.
- Never leave the Kitchen Machine unattended when it is operating.
- Never use a damaged appliance. Get it checked or repaired: see 'service and customer care' section.
- Never operate the Kitchen Machine with the head in the raised position.
- Never let the cord hang down where a child could grab it.
- Never let the power unit, cord or plug get wet.
- Never use an unauthorised attachment or more than one attachment at once.
- Never exceed the quantities stated in the maximum capacity chart.
- When using an attachment, read and follow the safety instructions that are supplied with it.
- Take care when lifting this appliance as it is heavy. Ensure the head is correctly latched in the down position and that the bowl, tools, outlet covers and<sub>2</sub> cord are secure before lifting.

- Take care when removing bowl tools after extended use as they may get hot.
- Children should be supervised to ensure that they do not play with the appliance.
- Do not move or raise the mixer head with an attachment fitted as the Kitchen Machine could become unstable.
- Do not operate your appliance near the edge of a work surface.
- Appliances can be used by persons with reduced physical, sensory or mental capabilities or lack of experience and knowledge if they have been given supervision or instruction concerning use of the appliance in a safe way and if they understand the hazards involved.
- Misuse of your appliance can result in injury.
- This appliance shall not be used by children. Keep the appliance and its cord out of reach of children.
- The maximum rating is based on the attachment that draws the greatest load. Other attachments may draw less power.
- Only use the appliance for its intended domestic use. Kenwood will not accept any liability if the appliance is subject to improper use, or failure to comply with these instructions.

## before plugging in

### important - UK only

- Make sure your electricity supply is the same as the one shown on the underside of your machine.
- The wires in the cord are coloured as follows:  
Blue = Neutral, Brown = Live.
- The appliance must be protected by a 13A approved (BS1362) fuse.
- For non-rewireable plugs the fuse cover MUST be refitted when replacing the fuse. If the fuse cover is lost then the plug must not be used until a replacement can be obtained. The correct fuse cover is identified by colour and a replacement may be obtained

from your Kenwood Authorised Repairer (see Service).

- If a non-rewireable plug is cut off it must be DESTROYED IMMEDIATELY. An electric shock hazard may arise if an unwanted non-rewireable plug is inadvertently inserted into a 13A socket outlet.
- This appliance conforms to EC Regulation 1935/2004 on materials and articles intended to come into contact with food.

## before using for the first time

- Wash the parts: see 'care and cleaning' section.

# Know your Kitchen Machine

## Key

### Attachment outlets

- ① high-speed outlet
- ② slow-speed outlet
- ③ bowl tool socket

### Mixer


- ④ high speed outlet cover
- ⑤ mixer head
- ⑥ speed and pulse control
- ⑦ power unit
- ⑧ head release lever
- ⑨ bowl seating pad
- ⑩ bowl
- ⑪ slow speed outlet cover
- ⑫ K-beater
- ⑬ whisk
- ⑭ dough hook
- ⑮ spatula
- ⑯ splashguard

## Optional attachments

There are a range of optional attachments available to use with your Kitchen Machine. See the attachment leaflet included in your pack or visit [www.kenwoodworld.com](http://www.kenwoodworld.com) to see the full range and how to buy an attachment not included in your pack.

### Note: Slow Speed outlet attachments

The slow speed outlet on your Kitchen Machine model features the Twist Connection System. It is designed to accept Twist Connection System attachments.

When purchasing new attachments for the slow speed outlet you should check compatibility with your Kitchen Machine. All Twist Connection System attachments can be identified by the product code which starts with KAX and also by the Twist logo  which is visible on packaging. For more information visit [www.kenwoodworld.com/twist](http://www.kenwoodworld.com/twist).

If you own attachments featuring the Bar Connection System  you will need to use the KAT002ME adaptor to connect these to the Twist Connection System  on your Kitchen Machine.

*For more information visit [www.kenwoodworld.com/twist](http://www.kenwoodworld.com/twist).*

## The bowl tools and some of their uses

### K-beater

For making cakes, biscuits, pastry, icing, fillings, éclairs and mashed potato.

### Dough Hook

For yeast mixtures only.

### Whisk

For eggs, cream, batters, fatless sponges, meringues, cheesecakes, mousses, soufflés. Do not use the whisk for heavy mixtures (e.g. creaming fat and sugar) - you could damage it.

## To use your bowl tools

- 1 Turn the head lift lever anti-clockwise and raise the mixer head until it locks ②. Ensure the bowl seating pad ⑨ is correctly fitted with the (K) symbol uppermost.
- 2 Fit the bowl on the base, press down and turn clockwise ③ to secure in position.
- 3 Place the required tool into the socket. Then push up ④ and turn ⑤ the tool to lock into position.  
Note: If the K-beater or Whisk are not picking up ingredients from the bottom of the bowl refer to the "Tool Adjustment" section.
- 4 Lift the mixer head slightly then turn the head-lift lever anti-clockwise and lower the mixer head until it locks.
- 5 Start the machine by turning the speed control ⑥ to the desired speed setting. Use the pulse (P) position for short bursts of maximum speed.
- 6 After use, return the speed control to 'O' OFF position and unplug your Kitchen Machine.
- 7 Release the tool by turning clockwise to unlock from the tool socket and then remove.

### Hints

- To fully incorporate the ingredients stop mixing and scrape down the bowl with the spatula frequently.
- For best results when whisking use eggs at room temperature.
- Before whisking egg whites, make sure there is no grease or egg yolk on the whisk or bowl.
- Use cold ingredients for pastry unless your recipe says otherwise.

## Points for bread making

### Important

- Never exceed the maximum capacities stated - you may overload the machine.
- If you hear the machine labouring, switch off, remove half the dough and do each half separately.
- The ingredients mix best if you put the liquid in first.

### Yeast

- **Dried yeast** (the type that needs reconstituting): pour the warm water into the bowl. Then add the yeast and the sugar and leave to stand for about 10 minutes until frothy.
- **Fresh yeast:** crumble into the flour.
- **Other types of yeast:** follow the manufacturer's instructions.
- Put the dough into a greased polythene bag or a bowl covered with a tea towel. Then leave somewhere warm until doubled in size.

### Important

Ensure that no bowl tools are fitted or stored in the bowl when using other outlets.



Maximum capacities		Chef	Chef XL
Shortcrust pastry	Flour weight	680g/1lb 8oz	910g/2lb
Bread dough (stiff yeasted)	Flour weight	1.36kg/3lb	1.5kg/3lb 5oz
	Total weight	2.18kg/4lb 13oz	2.56kg/5lb 10oz
Soft yeasted dough (enriched with butter and eggs)	Flour weight	1.3kg/2lb 14oz	2.6kg/5lb 12oz
	Total weight	2.5kg/5lb 8oz	5kg/11lb
Fruit cake mix (Creaming fat and sugar method)	Total weight	2.72kg/6lb (9 Egg mix)	4.55kg/10lb (15 Egg mix)
Egg whites	Number Weight	12 (455g)	16 (605g)

\* Eggs sizes used = medium sized (Weight 53 – 63g)

Tool	Recipe/Process	Recommended Speed
K-beater	Creaming butter/margarine and sugar	Start on 'Min' and gradually increase to 'Max'
	Beating eggs into cake mixes	'4' to 'Max'
	Folding in flour, fruit etc	'Min' to '1'
	All In one cake mixes	Start on 'Min' and gradually increase to 'Max'
	Pastry & Biscuits – rubbing fat into flour	'Min' to '2'
	Royal Icing	'Min' to '1'
	Mashed Potatoes	Start on 'Min' and gradually increase to 'Max'
Whisk	Egg Whites	Gradually increase to 'Max'
	Fatless sponges	
	Cream	
Dough Hook	For Yeasted dough mixes	'Min' speed for 45 - 60 secs. Then increase to speed '1'
		Re-knead on speed '1'

# To fit and use your Splashguard

- 1 Raise the mixer head until it locks.
- 2 Fit the bowl onto the base.
- 3 Push the splashguard onto the underside of the mixer head **6** until fully located.  
The hinged section should be positioned as shown.
- 4 Insert required tool.
- 5 Lower the mixer head.
  - During mixing, ingredients can be added directly to the bowl via the hinged section of the splashguard **7**.
  - You do not need to remove the splashguard to change tools.
- 6 Remove the splashguard by raising the mixer head and pushing it down.

# Tool Adjustment

## K-beater & Whisk

The tools are set to the correct height for the bowl supplied in the factory and should not require adjustment.

However, if you wish to adjust the tool use a suitable sized spanner:

TYPE KVC30 = 15mm

TYPE KVL40 = 19mm

Then follow the instructions below:

- 1 Unplug the appliance.
- 2 Raise the mixer head and insert the whisk or beater.
- 3 Lower the mixer head. If the clearance needs to be adjusted, raise the mixer head and remove the tool. Ideally the whisk and K-beater should be **almost** touching the bottom of the bowl **8**.
- 4 Using a suitable spanner loosen the nut sufficiently to allow adjustment of the shaft **9**. To lower the tool closer to the bottom of the bowl, turn the shaft anti-clockwise. To raise the tool away from the bottom of the bowl turn the shaft clockwise.
- 5 Re-tighten the nut.
- 6 Fit the tool to the mixer and lower the mixer head. (Check its position see points above).
- 7 Repeat the above steps as necessary until the tool is set correctly. Once this is achieved tighten the nut securely.
  - Note: Spanner shown is for illustration purpose only.

## Dough Hook

This tool is set at the factory and should require no adjustment.

# Care & Cleaning

- Always switch off and unplug before cleaning.
- A little grease may appear at the slow speed outlet ② when you first use it. This is normal – just wipe it off.

## Power Unit And Outlet Covers

- Wipe with a damp cloth, then dry.
- Never use abrasives or immerse in water.

## Bowl

- Wash by hand, then dry thoroughly or wash in the dishwasher.
- Never use a wire brush, steel wool or bleach to clean your stainless steel bowl. Use vinegar to remove limescale.
- Keep away from heat (cooker tops, ovens, microwaves).

## Tools & Splashguard

- Wash by hand, then dry thoroughly or wash in the dishwasher.

# recipe

## chilli marinade

200g clear runny honey

1 chilli (whole)

20g crunchy peanut butter

Seasoning

- 1 Place all the ingredients into the mini chopper/mill.
- 2 Fit the attachment to the Kitchen Machine and allow the ingredients to settle around the blade.
- 3 Switch to max speed for 4 seconds.
- 4 Use as required.

# Service and Customer Care

**If you experience any problems with the operation of the appliance, before calling for assistance refer to the troubleshooting guide or visit [www.kenwoodworld.com](http://www.kenwoodworld.com).**

If you need help with:

- using your appliance
  - servicing or repairs (in or out of guarantee)
- ☎ call Kenwood customer care on 023 9239 2333. **Have your model number (e.g. TYPE KVC30 or TYPE KVL40) and date code (5 digit code e.g. 13L35) ready.** They are on the underside of the power unit.
- **spares and attachments**
- ☎ call 0844 557 3653.
- other countries**
- If you experience any problems with the operation of your appliance, before requesting assistance refer to the “troubleshooting guide” section in the manual or visit [www.kenwoodworld.com](http://www.kenwoodworld.com).
  - Please note that your product is covered by a warranty, which complies with all legal provisions concerning any existing warranty and consumer rights in the country where the product was purchased.
  - If your Kenwood product malfunctions or you find any defects, please send it or bring it to an authorised KENWOOD Service Centre. To find up to date details of your nearest authorised KENWOOD Service centre visit [www.kenwoodworld.com](http://www.kenwoodworld.com) or the website specific to your Country.

# Service and Customer Care




- Designed and engineered by Kenwood in the UK.
- Made in China.



## **IMPORTANT INFORMATION FOR CORRECT DISPOSAL OF THE PRODUCT IN ACCORDANCE WITH THE EUROPEAN DIRECTIVE ON WASTE ELECTRICAL AND ELECTRONIC EQUIPMENT (WEEE)**

At the end of its working life, the product must not be disposed of as urban waste. It must be taken to a special local authority differentiated waste collection centre or to a dealer providing this service. Disposing of a household appliance separately avoids possible negative consequences for the environment and health deriving from inappropriate disposal and enables the constituent materials to be recovered to obtain significant savings in energy and resources. As a reminder of the need to dispose of household appliances separately, the product is marked with a crossed-out wheeled dustbin.

# Troubleshooting guide

Problem	Cause	Solution
The whisk or K-beater knocks against the bottom of the bowl or not reaching the ingredients in the bottom of the bowl.	Tool at the wrong height and needs adjusting.	Adjust the height using a suitable spanner – see “Tool Adjustment” section.
Slow speed attachment cannot be fitted.	Check your attachment is compatible for use with your model. Twist connection system required (Model KAX) 	Attachment must have the KAX twist connection system  to fit the outlet. If you own attachments featuring the Bar Connection System  you will need to use the KAT002ME adaptor to connect these to the Twist Connection System on your Kitchen Machine. <i>For more information visit <a href="http://www.kenwoodworld.com/twist">www.kenwoodworld.com/twist</a>.</i>
The Kitchen Machine stops during operation.	Overload protection or overheat system activated. Maximum capacity exceeded.	Unplug and check for obstruction or overloading. Turn the speed control to “O” and then restart. If the machine will not operate, remove some of the ingredients to reduce the load and restart. If this still does not resolve the problem, unplug and allow to stand for 15 minutes. Plug in and reselect the speed. If the machine does not restart following the above procedure contact “customer care” for further advice.

# دليل استكشاف المشكلات وحلها

المشكلة	السبب المحتمل	الحل
خفاقة البيض أو مضرب العجين يقرع قاع الوعاء أو لا يصل إلى المكونات الموجودة في قاع الوعاء.	ارتفاع الأداة غير صحيح وتحتاج لضبط ارتفاعها.	اضبطي طول الأداة باستخدام مفتاح ربط لتعديل الارتفاع - راجعي قسم "ضبط الأداة".
ملحق السرعة المنخفضة لا يمكن تركيبه.	تأكدتي من توافق الملحق مع الاستخدام مع موديل الجهاز لديك. يتطلب نظام Twist connection system (الموديل KAX) 	يجب أن شعار KAX الخاص بنظام twist connection system موجوداً على الملحق حتى تتمكني من تركيبه في المخرج. إذا كان لديك ملحقات تعمل على نظام Bar Connection System (BAR) . ففي هذه الحالة ستحتاجين إلى استخدام منظم KAT002ME حتى يمكنك توصيل هذه الملحقات مع نظام twist connection system الموجود في موديل جهاز المطبخ المتكامل لديك. لمزيد من المعلومات زوري الموقع: <a href="http://www.kenwoodworld.com/twist">www.kenwoodworld.com/twist</a>
يتوقف جهاز المطبخ المتكامل خلال التشغيل. يومض ضوء زر وضع الاستعداد بشكل سريع.	تم تنشيط وظيفة الحماية ضد التحميل الزائد أو الارتفاع المفرط لدرجة حرارة الجهاز. تم تجاوز السعة القصوى المحددة. أفصلي الجهاز عن مصدر التيار الكهربائي وتأكدي من عدم وجود أي أحسنار أو عالق أو تحميل زائد.	لفي مفتاح التحكم في السرعات إلى وضع إيقاف التشغيل "O" ثم أعيدي تشغيل الجهاز مرة أخرى. في حالة عدم عمل الجهاز. ففي هذه الحالة أزيلتي كمية من المكونات لتقليل الحمل وأعيدي تشغيل الجهاز. إذا لم يساعد ذلك في حل المشكلة. أفصلي الجهاز عن مصدر التيار الكهربائي واتركيه ١٥ دقيقة ليبرد. وصلي الجهاز بمصدر التيار الكهربائي وأعيدي تحديد السرعة المطلوبة. في حالة عدم عمل الجهاز بعد الإجراءات السابقة. ففي هذه الحالة اتصلي بمركز خدمة العملاء لطلب المساعدة.

## العناية والتنظيف

## الخدمة ورعاية العملاء

- في حالة مواجهة أية مشكلة متعلقة بتشغيل الجهاز، قبل الاتصال لطلب المساعدة، يرجى مراجعة قسم «دليل اكتشاف المشكلات وحلها» في الدليل أو زيارة موقع الويب [www.kenwoodworld.com](http://www.kenwoodworld.com).
- يرجى الملاحظة بأن جهازك مشمول بضمان، هذا الضمان يتوافق مع كافة الأحكام القانونية المعمول بها والمتعلقة بحقوق الضمان والمستهلك في البلد التي تم شراء المنتج منها.
- في حالة تعطل منتج Kenwood عن العمل أو في حالة وجود أي عيوب، فيرجى إرساله أو إحضاره إلى مركز خدمة معتمد من KENWOOD. للحصول على معلومات محدثة حول أقرب مركز خدمة معتمد من KENWOOD، يرجى زيارة موقع الويب [www.kenwoodworld.com](http://www.kenwoodworld.com)، أو موقع الويب المخصص لبلدك.

- تصميم وتطوير Kenwood في المملكة المتحدة.
- صنع في الصين.



معلومات هامة هو الكيفية الصحيحة للتخلص من المنتج وفقاً لتوجيهات الاتحاد الأوروبي المتعلقة بنفايات المعدات الكهربائية والإلكترونية (WEEE)

في نهاية العمر التشغيلي للجهاز، يجب عدم التخلص من الجهاز في نفايات المناطق الحضرية. بل يجب أخذه إلى مركز تجميع خاص بجهد متخصصة في التخلص من هذه النفايات أو إلى تاجر يقدم هذه الخدمة. التخلص من الأجهزة المنزلية على نحو منفصل، يجنب الآثار السلبية المحتملة على البيئة والصحة والتي تنتج عن التخلص من هذه النفايات بطريقة غير مناسبة، كما أن هذه العملية تسمح باسترداد المواد المكونة الأمر الذي يتيح الحصول على وفورات كبيرة في مجال الطاقة والموارد. للتذكير بضرورة التخلص من الأجهزة المنزلية على نحو منفصل، يوجد على الجهاز صورة مشطوبة لسلة قمامة ذات عجلات.

- أوقفني دائماً تشغيل الجهاز وافصله عن مصدر التيار الكهربائي قبل التنظيف.
- قد تظهر طبقة طفيفة من الشحم على مخرج السرعة المنخفضة ② في المرة الأولى لاستخدامه.
- هذا أمر طبيعي - فقط امسحها.

### وحدة الطاقة (الموتور) وأغطية المخارج

- مسح بقطعة قماش رطبة ثم التجفيف.
- يحذر استخدام المواد الكاشطة أو الغمر في الماء.

### السلطانية

- غسيل يدوي ثم التجفيف جيداً أو غسيل في غسالة الأطباق.
- يحذر استخدام فرشاة من السلك أو الصوف المعدني أو مواد التبييض عند تنظيف الوعاء المصنوع من الصلب عديم الصدأ.
- استخدم الخل لإزالة الطبقة الجيرية.
- أبعده عن مصادر الحرارة (سطح الموقد، الأفران، المايكروويف).

### الأدوات وموانع الرذاذ

- غسيل يدوي ثم التجفيف جيداً أو غسيل في غسالة الأطباق.

## وصفة التحضير

### تتبيلة الفلفل

- 1 ٢٠٠ غرام عسل نحل صافي  
١ ثمرة فلفل (كاملة)  
٢٠٠ غرام زبدة فول سوداني خشنة  
توابل
- ١ ضع كل المكونات في القطاعة/المطحنة الصغيرة.
- ٢ ركب الملحق في جهاز المطبخ المتكامل واسمحي للمكونات بملء الفراغات حول سكين التقطيع.
- ٣ شغلي الجهاز على السرعة العالية لمدة ٤ ثوان.
- ٤ استخدمني التتبيلة حسب الحاجة.

# تركيب واستخدام مانع الرذاذ

## ضبط الأداة

### مضرب العجين K والخفاقة

يتم ضبط ارتفاع الأدوات على الارتفاع الصحيح لها داخل السلطانية في المصنع لدى تزويد الجهاز بحيث لا تتطلب أي ضبط إضافي. وعلى الرغم من ذلك، إذا لزم ضبط ارتفاع الأدوات ففي هذه الحالة استخدم مفتاح ربط بحجم مناسب.

TYPE KVC30 = 15 مم

TYPE KVL40 = 19 مم

ثم اتبعي التعليمات التالية:

1) افصلي الجهاز عن مصدر التيار الكهربائي.

2) ارفعي رأس الخلاط وركبي خفاقة البيض أو المضرب.

3) اخفضي رأس الخلاط. إذا كانت المسافة تحتاج إلى الضبط، ارفعي رأس الخلاط وأزيلي الأداة، من المثالي أن يمس المضرب/ الخفاقة K **بالكاد** قاع الوعاء 8.

4) باستخدام مفتاح الربط المزود فكي الصامولة بشكل كاف للسماح بتعديل محور الدوران 9. لخفض الأداة في اتجاه قاع السلطانية، لفي محور دوران في اتجاه عكس عقارب الساعة. لرفع الأداة بعيداً عن قاع الوعاء، لفي محور الدوران في اتجاه عقارب الساعة. 5) أعيدي إحكام ربط الصامولة.

6) ركبى الأداة في الخلاط واخفضي رأس الخلاط. (تأكدى من موضع الأداة بالنسبة لقاع السلطانية، راجعي النقاط السابقة).

7) كرري الخطوات السابقة حسب الحاجة حتى يتم ضبط الأداة بشكل صحيح. بمجرد الوصول إلى المسافة الصحيحة أحكمي ربط الصامولة.

• ملاحظة: مفتاح الربط المبين في الشكل التوضيحي لأغراض الإيضاح فقط.

### خطاف العجين

تم ضبط هذه الأداة في المصنع ولا تحتاج لأي ضبط.

- 1) ارفعي رأس الخلاط حتى تستقر في موضع الرفع.
- 2) ركبى السلطانية على القاعدة.
- 3) ادفعي مانع الرذاذ إلى الجانب السفلي من رأس الخلاط 6 حتى يتم تركيبه. يجب أن يكون موضع الجزء المفصلي كما هو مبين.
- 4) ركبى الأداة المطلوبة.
- 5) اخفضي رأس الخلاط.
- أثناء الخلط يمكن إناث مباشرة إلى السلطانية عن طريق الجزء المفصلي من مانع الرذاذ 7.
- لن تحتاجي لإزالة مانع الرذاذ عند تغيير الأدوات.
- 6) أزيلي مانع الرذاذ عن طريق رفع رأس الخلاط ودفعه للارتداد للأسفل.



Chef XL	Chef	الساعات القصوى	
٩١٠ غرام	٦٨٠ غرام	وزن الدقيق	المعجنات ذات القشرة الهشة
١,٥ كيلوغرام	١,٣٦ كيلوغرام	وزن الدقيق	عجين الخبز
٢,٥٦ كيلوغرام	٢,١٨ كيلوغرام	الوزن الإجمالي	(عجينة الخميرة السميكة)
٢,٦ كيلوغرام	١,٣ كيلوغرام	وزن الدقيق	عجينة الخميرة الخفيفة
٥ كيلوغرام	٢,٥ كيلوغرام	الوزن الإجمالي	(غنية بالزبد والبيض)
٤,٥٥ كيلوغرام (خلطة ١٥ بيضة)	٢,٧٢ كيلوغرام (خلطة ٩ بيضات)	الوزن الإجمالي	خلطة كيك الفاكهة
١٦ (٦٠٥ غرام)	١٢ (٤٥٥ غرام)	العدد الوزن	بياض البيض

\* حجم البيض المستخدم = الحجم المتوسط (بوزن بين ٥٣ إلى ٦٣ غرام)

الأداة	الوصفة/الطريقة	السرعة الموصى بها
مضرب العجين K	مزج الزبد/السمن مع السكر	ابدئي بالسرعة المنخفضة "Min" زيديها بالتدرج إلى السرعة القصوى "Max"
	خفق البيض داخل خلطات الكعكات	السرعة "4" إلى السرعة القصوى "Max"
	طّي الدقيق والفاكهة ما شابه	السرعة المنخفضة "Min" إلى السرعة "1"
	خلطات الكعكات الجاهزة	ابدئي بالسرعة المنخفضة "Min" ثم زيديها بالتدرج إلى السرعة القصوى "Max"
	المعجنات والبسكويت - خلط السمن مع الدقيق	السرعة المنخفضة "Min" إلى السرعة "2"
	سكر الزينة	السرعة المنخفضة "Min" إلى السرعة "1"
	البطاطس المهروسة	ابدئي بالسرعة المنخفضة "Min" ثم زيديها بالتدرج إلى السرعة القصوى "Max"
مضرب البيض	بياض البيض	زيادة السرعة تدريجياً إلى السرعة القصوى "Max"
	الخلطات الإسفنجية الخالية من الدهون	
	الفتحة	
خطاف العجين	لخلطات العجين المخمر	السرعة المنخفضة "Min" لمدة ٤٥ إلى ٦٠ ثانية
		ثم الزيادة إلى السرعة "1"
		إعادة العجن على السرعة "1"

## استخدام أدوات السلطانية

### نقاط هامة لتحضير الخبز

#### هام

- يحذر تجاوز السعات القصوى المحددة - فقد تتسبب في حمل زائد على الجهاز.
- إذا سمعت صوت الجهاز مثقلاً، فأوقفه والتشغيل وأزلي نصف العجين ثم تعاملي مع كل نصف على منفرداً.
- للحصول على أفضل نتائج لخلط المكونات أضيفي السوائل أولاً في السلطانية.

#### الخميرة

- **الخميرة الجافة** (النوع الذي يحتاج إعادة تشكيل): صبّي الماء الدافئ في الوعاء. ثم أضيفي الخميرة والسكر واتركيها تهدأ لمدة ١٠ دقائق حتى تتكون رغوة.
- **الخميرة الطازجة**: فتنيها داخل الدقيق.
- **أنواع الخميرة الأخرى**: اتبعي تعليمات المصنّع.
- ضعي العجينة في كيس بلاستيك مدهون بالزيت أو سلطانية ومغطاة بغطاء.
- ثم اتركها في مكان دافئ حتى يتضاعف حجمها.

#### هام

- تأكدي من عدم تركيب أو تخزين أي أداة أخرى خاصة بالسلطانية عند استخدام مخارج أخرى.

- ١ لفي ذراع رفع رأس الخلاط في اتجاه عقارب الساعة وارفعي رأس العجانة حتى يتم تعشيقها في موضع تثبيت الرفع مصدرة صوت ② .  
تأكدي من تركيب قاعدة الوعاء ③ بشكل صحيح حيث تكون العلامة ④ مواجهة لأعلى.
- ٢ ركبي السلطانية على القاعدة. اضغطي عليها لأسفل ولفيها في اتجاه عقارب الساعة ⑤ لربطها في موضع التثبيت.
- ٣ أدخلي الأداة المطلوب استخدامها في المقبس. ثم ادفعيها لأعلى ④ ولفيها ⑤ لفلها في موضع التعشيق.  
ملاحظة: إذا كان مضرب العجين K أو خفاقة البيض لا يمكنهما خلط المكونات الموجودة في قاعدة السلطانية. ففي هذه الحالة راجعي قسم "ضبط الأداة".
- ٤ أخفضي رأس الخلاط قليلاً ثم لفي ذراع رفع رأس الخلاط في اتجاه عكس عقارب الساعة ثم أخفضي رأس الخلاط حتى يتم تعشيقها في موضع التثبيت.
- ٥ شغلي الجهاز من خلال لف مفتاح التحكم في السرعة ⑥ وتوجيهه إلى موضع السرعة المطلوبة.  
استخدمي مفتاح وضع التشغيل النبضي (P) للتشغيل لفترات قصيرة على السرعة القصوى. بعد الاستخدام، أعيدي مفتاح التحكم في السرعات إلى موضع إيقاف التشغيل (OFF) "O" وافصلي جهاز المطبخ الكامل عن مصدر التيار الكهربائي.
- ٧ أزلي الأداة عن طريق لفها في اتجاه عقارب الساعة لتحريرها عن مقبس إلحاق الأداة ثم أزليها.

#### تلميحات

- لدمج المكونات بالكامل، أوقفه في عملية الخلط واكشطتي جوانب السلطانية باستخدام ملعقة التقليب بانتظام.
- للحصول على أفضل النتائج عن خفق البيض، استخدمه بيض في درجة حرارة الغرفة.
- قبل خفق بياض البيض، تأكدي من عدم وجود زيت أو صفار بيض على مضرب البيض أو السلطانية.
- استخدمه مكونات باردة للعجين ما لم تذكر الوصفة خلاف ذلك.

# استكشاف جهاز المطبخ المتكامل من Kenwood

## الدليل

### ملحقات اختيارية

هناك مجموعة كبيرة ومتنوعة من الملحقات المتوفرة والتي يمكن استخدامها مع جهاز المطبخ المتكامل.

راجعى نشرة الملحق المزودة مع صندوق البيع أو زوري الموقع [www.kenwoodworld.com](http://www.kenwoodworld.com)

لمشاهدة المجموعة الكاملة من الملحقات المتوفرة وكيفية شراء الملحقات غير المزودة مع جهازك الأساسي.

### ملاحظة: ملحقات مخرج السرعة المنخفضة

مخرج السرعة المنخفضة في موديل جهاز المطبخ المتكامل لديك يتميز بنظام Twist Connection System. وبالتالي فهو مصمم للعمل مع ملحقات نظام Twist Connection System.

عند شرائك ملحقات للعمل مع مخرج السرعة المنخفضة، عليك أولاً التأكد من توافق الملحق مع موديل جهاز المطبخ المتكامل لديك. يمكن تمييز كل ملحقات نظام Twist Connection System من خلال كود المنتج والذي يبدأ على النحو التالي (KAX) وأيضاً عن طريق شعار Twist (TWIST) الموضح على العبوة. لمزيد من المعلومات زوري الموقع: [www.kenwoodworld.com/twist](http://www.kenwoodworld.com/twist)

إذا كان لديك ملحقات تعمل على نظام Bar Connection System (BAR) ، ففي هذه الحالة

ستحتاجين إلى استخدام منظم KAT002ME حتى يمكنك توصيل هذه الملحقات مع نظام Twist Connection System (TWIST) الموجود في موديل جهاز المطبخ المتكامل لديك.

لمزيد من المعلومات، زوري الموقع [www.kenwoodworld.com/twist](http://www.kenwoodworld.com/twist)

### مخارج الملحقات

- 1 مخرج السرعة العالية
- 2 مخرج السرعة المنخفضة
- 3 مقبس إلحاق السلطانية

### الخلط

- 4 غطاء مخرج السرعة العالية
- 5 رأس الخلط
- 6 ذراع تحرير رأس الخلط
- 7 مفتاح التحكم في السرعة والتشغيل النبضي
- 8 زر وضع الاستعداد
- 9 وحدة الطاقة (الموتور)
- 10 السلطانية
- 11 غطاء مخرج السرعة المنخفضة
- 12 إضاءة داخل السلطانية
- 13 لوحة للمس الخاصة بالإضاءة داخل السلطانية
- 14 تجويف تخزين السلك الكهربائي
- 15 قاعدة الوعاء
- 16 مضرب العجين K
- 17 خفاقة البيض
- 18 خطاف العجين
- 19 ملعقة التفليب
- 20 واقي رأس الخلط
- 21 مانع الرزاد

## أدوات السلطانية وبعض من استخداماتها

### مضرب البيض

لخفق البيض والزبد والقشدة والعجائن السائلة والكيك الإسفنجي خالي الدسم وأغذية الحلوى (المرغ) وكيك الجبن والموس والسوفليه. لا تستخدمى خفاقة البيض مع الخلطات السميكة (مثل خلط السمن مع السكر) - فقد تتلفها.

### مضرب العجين K

لعمل الكيك والبسكويت والمعجنات والغطاء السكري للحلوى والحشوات وجاتوه الإكلير والبطاطس المهروسة.

### خطاف العجين

يستخدم مع خلطات الخميرة فقط

- توخي الحذر عند حمل هذا الجهاز فهو ثقيل. تأكدي من قفل رأس الخلاط في الوضع لأسفل وتأمين السلطانية والأدوات وأغطية المخارج والسلك الكهربائي قبل حمل الجهاز.
- توخي الحذر عند إزالة أدوات السلطانية بعد فترة استخدام مطولة حيث تكون درجة حرارتها مرتفعة.
- يجب الإشراف على الأطفال للتأكد من عدم عبثهم بالجهاز.
- لا تحاولي تحريك أو رفع رأس الخلاط أثناء تركيب أي من الملحقات حيث يصبح جهاز المطبخ المتكامل غير مستقر.
- يحذر تشغيل الجهاز بالقرب من حافة سطح التشغيل.
- يمكن استخدام الأجهزة من قبل أشخاص ذوي قدرات جسدية أو حسية أو عقلية منخفضة وممن هم دون خبرة أو معرفة باستخدام الأجهزة في حالة منحهم التعليمات الخاصة بالاستخدام أو الإشراف عليهم بحيث يمكنهم استخدامه بطريقة آمنة مع إدراك المخاطر التي تنطوي على استخدام الجهاز.
- قد يؤدي سوء استخدام الجهاز إلى حدوث إصابات.
- لا يجوز استخدام هذا الجهاز من قبل الأطفال. احتفظي بالجهاز والسلك الكهربائي بعيداً عن متناول الأطفال.
- تعتمد السعة القصوى على الملحق المستخدم والذي يستمد حمل أكبر. بعض من الملحقات الأخرى قد تستمد حمل أقل.
- استخدمي الجهاز فقط في الاستخدامات المنزلية المخصص لها. لن تتحمل شركة Kenwood أية مسؤولية في حالة استخدام الجهاز بطريقة غير صحيحة أو عدم الامتثال للتعليمات المذكورة.

## قبل استخدام الجهاز للمرة الأولى

- اغسلي الأجزاء المسموح بغسلها: راجعي قسم "العناية والتنظيف".

## قبل توصيل الجهاز بمصدر التيار الكهربائي

- يجب التأكد من تماثل مواصفات المصدر الكهربائي مع المواصفات الموضحة على الجانب السفلي للجهاز.
- يتوافق هذا الجهاز مع تنظيمات الاتحاد الأوروبي 2004/1935 المتعلقة بالمواد والأجسام المتلامسة مع الأطعمة.

# استكشاف جهاز المطبخ المتكامل من Kenwood

تهانينا على اقتناء منتج Kenwood. من خلال العديد من الملحقات المتوفرة، فإن اقتنائك للجهاز لا يشكل فقط شراء الخلاط. فهو جهاز مطبخ متكامل عبقرى وفريد من نوعه، نتمنى أن ينال إعجابك وتستمتع به باستخدامه.

متين. يمكنك الاعتماد عليه. متنوع. منتج Kenwood.

## السلامة

- اقرأ التعليمات التالية واحتفظي بها في المتناول للاستخدامات المستقبلية المرجعية.
- أزيل مكوّنات التغليف وأيّة ملصقات.
- في حالة تلف السلك الكهربى، يجب استبداله لأسباب متعلقة بالسلامة من قبل KENWOOD أو مركز صيانة معتمد من قبل KENWOOD.
- أديرى مفتاح التحكم في السرعات إلى موضع إيقاف التشغيل (OFF) "O" وافصلي الجهاز عن مصدر التيار الكهربى قبل تركيب أو إزالة أي من الأدوات أو الملحقات وأيضا فور الانتهاء من الاستخدام وقبل التنظيف.
- أبعدى أصابعك عن الأجزاء المتحركة والملحقات التي تم تركيبها.
- يحذر ترك جهاز المطبخ المتكامل دون ملاحظة أثناء تشغيله.
- يحذر استخدام الجهاز في حالة تلفه. في مثل هذه الحالة يجب فحص الجهاز أو إصلاحه:
- راجعي قسم "الصيانة ورعاية العملاء".
- يحذر تشغيل جهاز المطبخ المتكامل عندما يكون الرأس مرفوعاً.
- يحذر ترك السلك الكهربى متديلاً في حالة وجود طفل فقد ينتزعه.
- يحذر تعرض وحدة الطاقة "الموتور" أو سلك الكهرباء أو قابس التوصيل للماء.
- يحذر استخدام ملحق غير معتمد أو أكثر من ملحق في المرة الواحدة.
- يحذر تجاوز السعات القصوى الموضحة في جدول السعات القصوى.
- عند استخدام ملحق ما، يجب قراءة واتباع تعليمات الأمان الواردة معه.





HEAD OFFICE: Kenwood Limited, 1-3 Kenwood Business Park, New Lane, Havant, Hampshire PO9 2NH

[kenwoodworld.com](http://kenwoodworld.com)

**KENWOOD**

CREATE MORE

5720000693/1