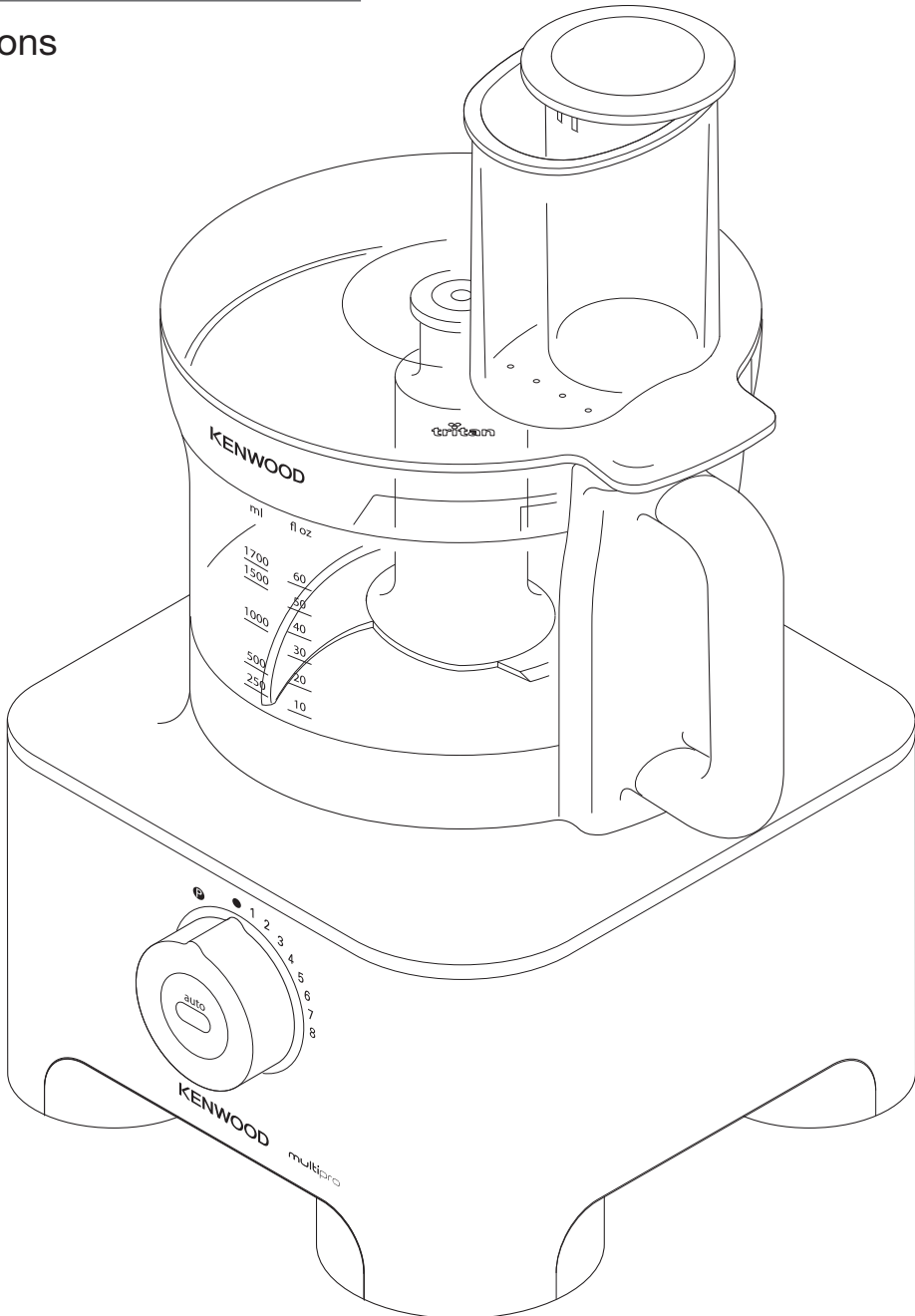


KENWOOD

FPM800 series

instructions



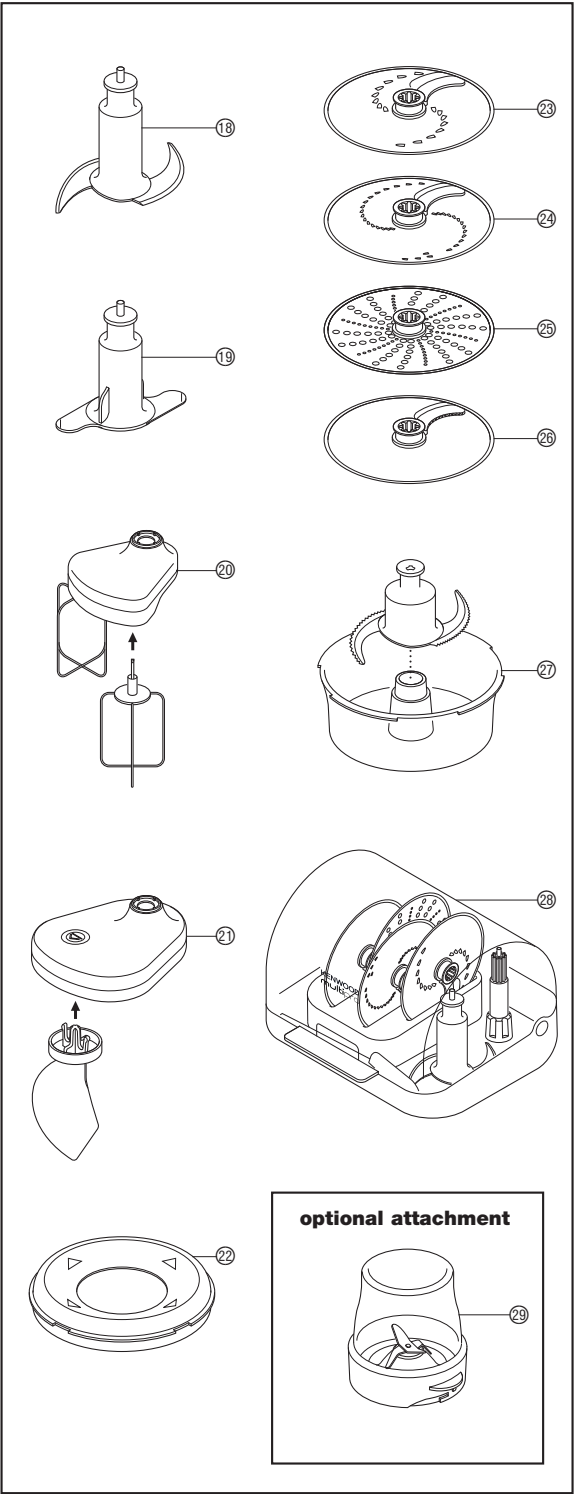
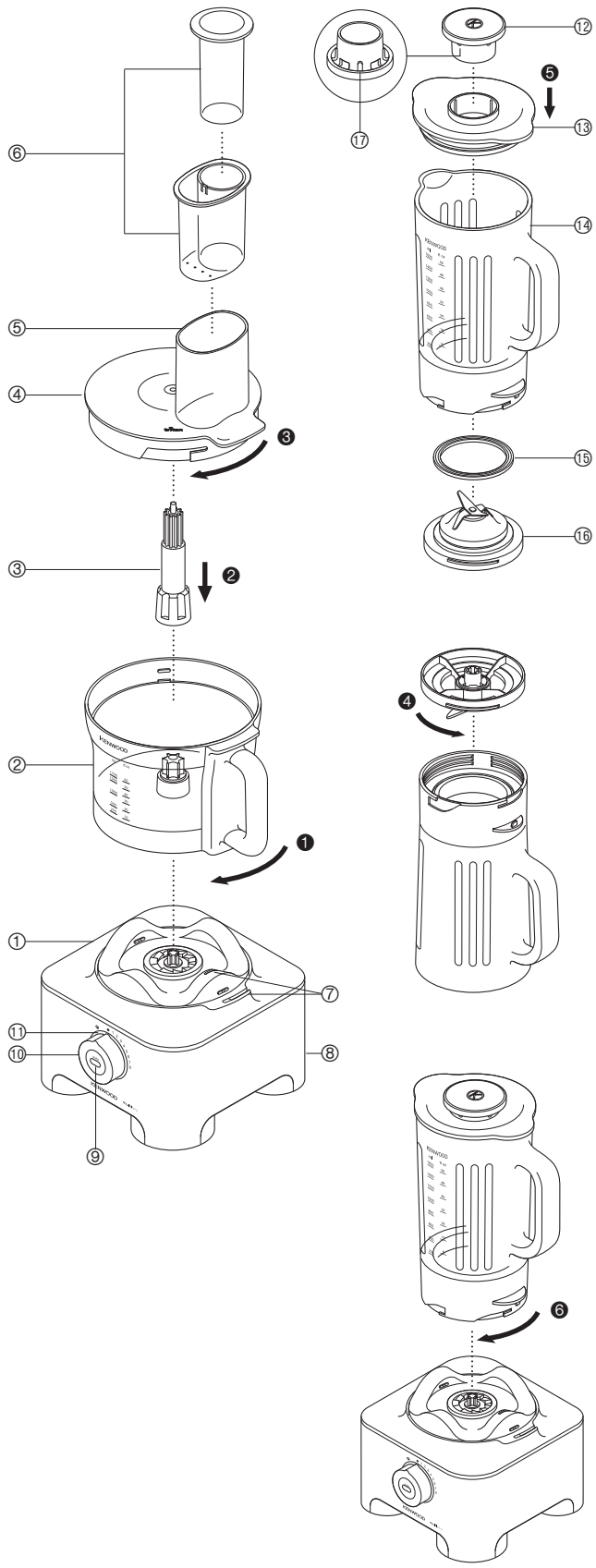
English

3 - 14

عربي

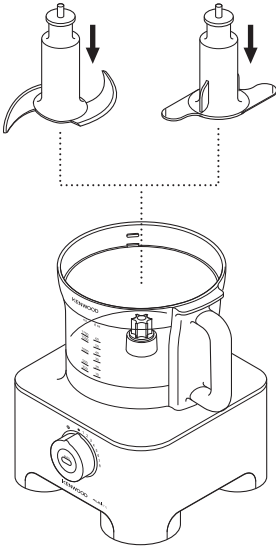
٢٤ - ١٥



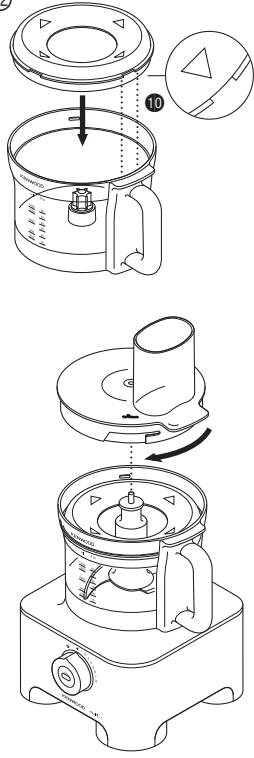


optional attachment

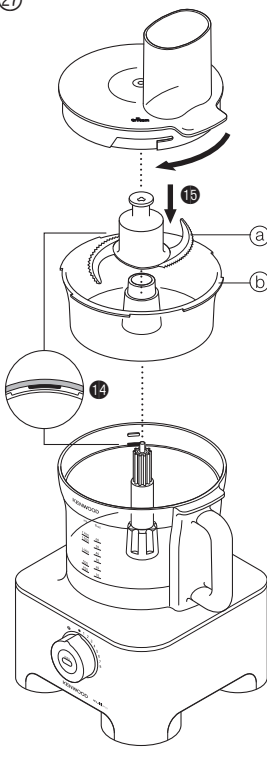
18 + 19



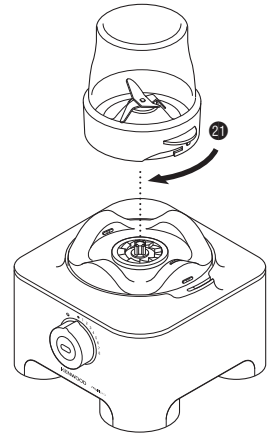
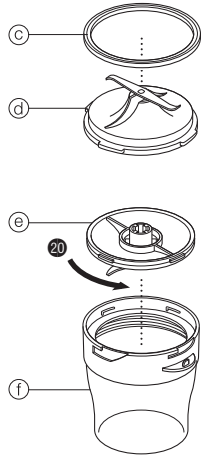
22



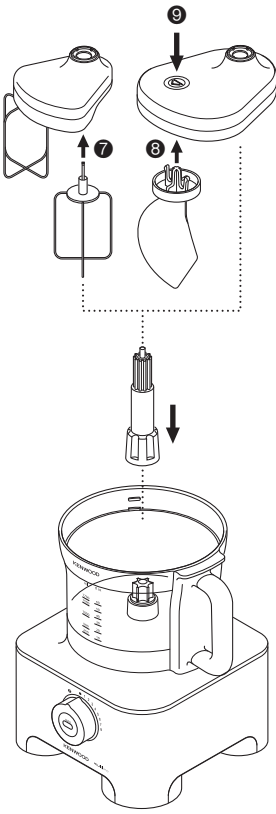
27



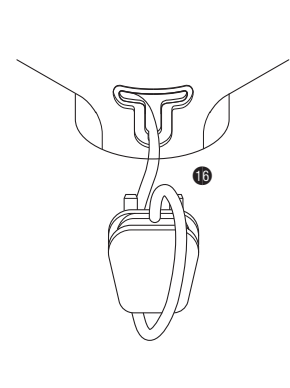
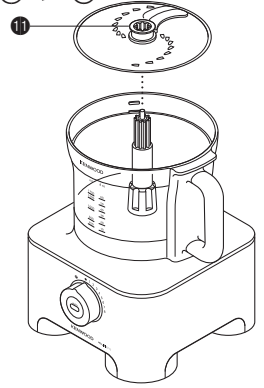
29 optional attachment



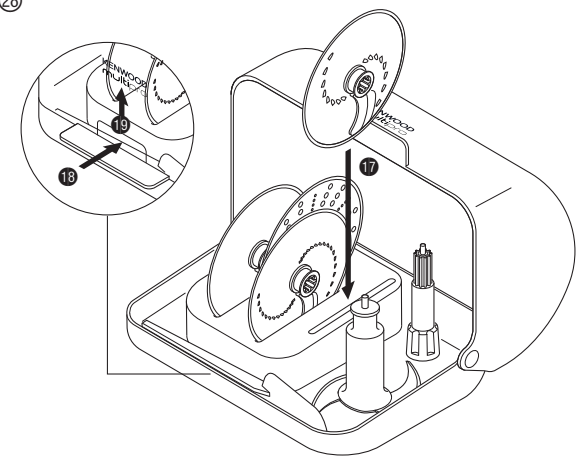
20 + 21



23 → 26



28



before using your Kenwood appliance

- Read these instructions carefully and retain for future reference.
- Remove all packaging and any labels.

safety

- The blades and discs are very sharp, handle with care. **Always hold by the finger grip at the top, away from the cutting edge, both when handling and cleaning.**
 - Do not lift or carry the processor by the handle - or the handle may break resulting in injury.
 - Always remove the knife blade before pouring contents from the bowl.
 - Keep hands and utensils out of the processor bowl and blender goblet whilst connected to the power supply.
 - Switch off and unplug:-
 - before fitting or removing parts;
 - when not in use;
 - before cleaning.
 - Never use your fingers to push food down the feed tube. Always use the pusher/s supplied.
 - **Never fit the blade unit to the power unit without the blender goblet or compact chopper/grinder fitted.**
 - Before removing the lid from the bowl or blender or compact chopper/grinder from the power unit:-
 - switch off;
 - wait until the attachment/blades have completely stopped;
 - be careful not to unscrew the blender goblet or compact chopper/grinder from the blade assembly.
 - **SCALD RISK:** Hot ingredients should be allowed to cool to room temperature before blending.
 - Do not use the lid to operate the processor, always use the on/off speed control.
 - **This appliance will be damaged and may cause injury if the interlock mechanism is subjected to excessive force.**
 - **Always unplug your food processor when not in use.**
 - Never use an unauthorised attachment.
 - Never leave the appliance unattended when it is operating.
 - Never use a damaged appliance. Get it checked or repaired: see 'service & customer care'.
 - Never let the power unit, cord or plug get wet.
 - Don't let excess cord hang over the edge of a table or worktop or touch hot surfaces.
 - Do not exceed the maximum capacities stated in the recommended speed chart.
 - This appliance is not intended for use by persons (including children) with reduced physical, sensory or mental capabilities, or lack of experience and knowledge, unless they have been given supervision or instruction concerning use of the appliance by a person responsible for their safety.
 - Children should be supervised to ensure that they do not play with the appliance.
 - Only use the appliance for its intended domestic use. Kenwood will not accept any liability if the appliance is subject to improper use, or failure to comply with these instructions.
 - Misuse of your processor/blender can result in injury.
 - The maximum rating is based on the attachment that draws the greatest load. Other attachments may draw less power.
- Refer to the relevant section under "using the attachments" for additional safety warnings for each individual attachment.

before plugging in

- Make sure your electricity supply is the same as the one shown on the underside of your appliance.

Important – UK only

- The wires in the cord are coloured as follows:
Green and Yellow = Earth, Blue = Neutral, Brown = Live.
- The appliance must be protected by a 13A approved (BS1362) fuse.

WARNING: THIS APPLIANCE MUST BE EARTHED.

Note:

- For non-rewireable plugs the fuse cover **MUST** be refitted when replacing the fuse. If the fuse cover is lost then the plug must not be used until a replacement can be obtained. The correct fuse cover is identified by colour and a replacement may be obtained from your Kenwood Authorised Repairer (see Service).
- If a non-rewireable plug is cut off it must be **DESTROYED IMMEDIATELY**. An electric shock hazard may arise if an unwanted non-rewireable plug is inadvertently inserted into a 13A socket outlet.
- This appliance conforms to EC directive 2004/108/EC on Electromagnetic Compatibility and EC regulation no. 1935/2004 of 27/10/2004 on materials intended for contact with food.

before using for the first time

- 1 Remove the plastic blade covers from the knife blade. **Take care the blades are very sharp.** These covers should be discarded as they are to protect the blade during manufacture and transit only.
- 2 Wash the parts see 'care & cleaning'

key

processor

- ① power unit
- ② Tritan™ bowl with drive shaft
- ③ detachable drive shaft
- ④ Tritan™ lid
- ⑤ feed tube
- ⑥ pushers
- ⑦ safety interlocks
- ⑧ cord storage (at back)
- ⑨ auto button
- ⑩ speed/pulse control
- ⑪ power on light

thermore sist blender

- 12 filler cap
- 13 lid
- 14 goblet
- 15 sealing ring
- 16 blade unit
- 17 filler cap vents

attachments

- 18 knife blade
- 19 dough tool
- 20 dual whisk
- 21 folding tool
- 22 max capacity disc
- 23 4mm slicing/grating disc
- 24 2mm slicing/grating disc
- 25 extra fine grater disc
- 26 fine Julienne disc
- 27 mini bowl and blade
- 28 attachment storage box
- 29 compact chopper/grinder (optional)

to use your food processor

- 1 Fit the bowl to the power unit. Place the handle towards the back on the right hand side and turn clockwise ① until it locks.
- 2 Fit an attachment over the bowl drive shaft.
Note: Detachable drive shaft ② should be fitted when using the discs, mini bowl, whisk and folding tool.
 - Always fit the bowl and attachment onto the processor before adding ingredients.
- 3 Fit the lid ③ - ensuring the top of the drive shaft/tool locates into the centre of the lid.
• The processor will not operate if the bowl or lid are not fitted correctly into the interlock. Check that the feed tube and bowl handle are situated to the right hand side.
- 4 Plug in. The Power On light will come on and flash until the bowl and lid are fitted correctly. Select one of the following options: -
Auto Button – the light will come on when the Auto Button is pressed and the optimum speed for the attachment will be automatically selected.
Speed Control – manually select the required speed (refer to the recommended speed chart).
Pulse – use the pulse (P) for short bursts. The pulse will operate for as long as the control is held in position.
- 5 At the end of processing turn the speed control to the 'O' off position or if using the Auto press the button and the light will go out.
• The Power On light will flash if either the lid or bowl are not fitted or incorrectly fitted.
• The Auto Button will not operate if a speed is selected on the speed control.
• Always switch off and unplug before removing the lid. important
 - Your processor is not suitable for crushing or grinding coffee beans, or converting granulated sugar to caster sugar.

Eco function

If the food processor is left plugged in for over 30 minutes without being used, it will go into standby mode to reduce energy consumption.

- The Power On light will pulse slowly and the food processor will not operate until one of the following actions are carried out:-
- The Auto Button is pressed.
- The speed control is turned to a speed and then turned back to the 'O' off position.

The light will change to being constantly lit when ready to use.

Note: If the bowl or lid are not engaged into the interlock the power on light with pulse more rapidly than the Eco function.

to use your thermoresist blender

- 1 Fit the sealing ring 15 into the blade unit 16 - ensuring the seal is located correctly in the grooved area.
• Leaking will occur if the seal is damaged or incorrectly fitted.
- 2 Hold the underside of the blade unit 16 and insert the blades into the goblet - turn anti-clockwise until it clicks ④. Refer to the graphics on the underside of the blade unit as follows:

 - unlocked position

 - locked position

The blender will not work if incorrectly assembled.

- 3 Put your ingredients into the goblet.
- 4 Fit the lid to the goblet and push down to secure ⑤. Fit the filler cap.
- 5 Place the blender onto the power unit, and turn clockwise ⑥ to lock.
• The appliance will not operate if the blender is incorrectly fitted to the interlock.
- 6 Select Auto, or a speed (refer to the recommended speed chart) or use the pulse control.

safety

- **SCALD RISK:** Hot ingredients should be allowed to cool to room temperature before blending.
- Always take care when handling the blade assembly and avoid touching the cutting edge of the blades when cleaning.
- Only operate the blender with the lid in place.
- Only use the goblet with the blade assembly supplied.
- Never run the blender empty.
- To ensure the long life of your blender, do not run it for longer than 60 seconds.
- Smoothie recipes - never blend frozen ingredients that have formed a solid mass during freezing, break it up before adding to the goblet.
- **Important** - The skirt on the base of the goblet is fitted during manufacture and no attempt should be made to remove it.

IMPORTANT: HOT BLENDING INSTRUCTIONS

To minimise the possibility of scalding when blending hot ingredients keep hands and other exposed skin away from the lid to prevent possible burns. The following precautions must be observed:

- **CAUTION: Blending very hot ingredients may result in hot liquid and steam being forced suddenly past the lid or filler cap** ⑫.
- **We recommend that hot ingredients are allowed to cool before blending.**
- **NEVER** exceed 1200mls/5 cups capacity if processing hot liquids, such as soups (refer to the markings on the goblet).
- **ALWAYS** commence blending at a low speed and gradually increase the speed. **NEVER** blend hot liquids by using the Pulse setting.
- Liquids which tend to foam such as milk, should be limited to a maximum capacity of 1000mls/4 cups.
- Take care when handling the blender as the goblet and its contents will be very hot.
- Take particular care when removing the lid. The lid is designed to be a tight fit to prevent leakage. If necessary protect your hands with a cloth or oven gloves when handling.
- Ensure the goblet is securely attached to the base and when removing from the appliance, guide the base and ensure it is removed together with the goblet.
- Ensure that the lid and filler cap are securely in place before **every** blending operation.
- Always ensure that the vents in the filler cap are clear before **every** blending operation ⑬.
- When fitting the lid to the goblet always ensure that the lid and goblet rim are clean and dry to ensure a good seal and prevent spillage.

hints

- When making mayonnaise, put all the ingredients, except the oil, into the blender. Remove the filler cap. Then, with the appliance running, add the oil slowly through the hole in the lid.
- Thick mixtures, e.g. pâtés and dips, may need scraping down. If the mixture is difficult to process, add more liquid.
- Ice crushing - operate the pulse in short bursts until crushed to the desired consistency.
- The processing of spices is not recommended as they may damage the plastic parts.
- The appliance will not work if the blender is incorrectly fitted.
- To blend dry ingredients - cut into pieces, remove the filler cap, then with the appliance running, drop the pieces down one by one. Keep your hand over the opening. For best results empty regularly.
- Don't use the blender as a storage container. Keep it empty before and after use.
- Never blend more than 1.6 litres (2 pts 8 fl oz) - less for frothy liquids like milkshakes.

recommended speed chart

tool/attachment	function	recommended speed	processing time *	maximum capacities
Knife blade	All in one cake mixes	8	15-20 secs	1.7Kg/3lb 7oz flour weight
	Pastry - rubbing fat into flour	5 – 8	10 secs	500g/1lb 2oz flour weight
	Adding water to combine pastry ingredients		10-20 secs	
	Chopping fish and lean meat Pâtés and terrines	Pulse – 8	10-30 secs	800g/1lb 8oz max lean beef
	Chopping vegetables	Pulse	5-10 secs	500g/1lb 2oz
	Chopping nuts	8	30-60 secs	200g/8oz
	Pureeing soft fruit, cooked fruit and vegetables	8	10-30 secs	1Kg/2lb 4oz
	Sauces, dressing and dips	8	2 mins max	800g/1lb 8oz
Knife blade with max capacity disc	Cold soups	Start at low speed and increase to maximum	30-60 secs	1.7 litres/3pts
	Milkshakes/batters		15-30 secs	1.3 litres/2pts
Dual whisk	Egg whites	8	60-90 secs	4 (150g)
	Egg & sugar for fatless sponges	8	4-5 min	3 eggs (150g)
	Cream	8	30 secs	500mls/18 fl oz
	Creaming fat and sugar	8	2 mins max	200g/8oz fat 200g/8oz sugar
Dough tool	Yeasted mixes	8	60 secs	1Kg/ 2lb 4oz total wt
	White Bread Flour	8	60 secs	600g/1lb 6oz flour wt
	Wholemeal Bread Flour	8	60 secs	500g/1lb 2oz flour wt
Folding tool	Whipping cream and fruit purees	1 – 2	60 secs	300g/12oz cream, 300g/12oz puree
	Egg whites into heavy mixtures	1 – 2	60 secs	600g/1lb 6oz total wt
	Flour into creamed fat and sugar mixes	1 – 2	60 secs	200g/8oz flour wt
	Macaroons	1 – 2	60 secs	500g/1lb 2oz total wt
Discs - slicing/grating	Firm food items such as carrots, hard cheeses	5 – 8	–	Do not fill above the maximum capacity marked on the bowl
	Softer items such as cucumbers, tomatoes	1 – 5	–	
Extra fine grater	Parmesan cheese, potatoes for German potato dumplings	8	–	
Fine Julienne disc	Potato straws and rosti Stir fries and vegetable garnishes	8	–	
Thermoresist blender	Cold liquids and drinks	8	15-30 secs	1.6 litres/2 pt 8 fl oz
	Stock based soups	8	30 secs	1.2 litres/2 pt 1 fl oz
	Soups using milk	8	30 secs	1 litres/1pt 8 fl oz
	We recommend that hot ingredients are allowed to cool before blending. However should you wish to process hot ingredients please read the Hot Blending Safety instructions.			
Mini bowl and knife	Meat	8	20 secs + Pulse	300g/12oz Lean beef
	Chopping herbs	8	30 secs	20g/1oz
	Chopping nuts	8	30 secs	100g/4oz
	Mayonnaise	8	30 secs	2 Eggs 300g/12oz Oil
	Purees	8	30 secs	200g/8oz
Mini bowl with discs	See individual discs recommended speed		–	500g/1lb 2oz Max Do not overfill bowl
Compact chopper/grinder (optional)	Processing a range of spices	8	30-60 secs	100g/4oz
	Grinding coffee beans	8	30 secs	75g/3oz
	Chopping nuts	Pulse	10 secs	140g/5oz

* This is for guidance only and will vary depending on the exact recipe and ingredients being processed.

using the attachments

Refer to recommended speed chart for each attachment.

18 knife blade

The knife blade is the most versatile of all the attachments. The length of the processing time will determine the texture achieved. For coarser textures use the pulse control.

Use the knife blade for cake and pastry making, chopping raw and cooked meat, vegetables, nuts, pâté, dips, pureeing soups and to also make crumbs from biscuits and bread.

hints

- Cut food such as meat, bread, vegetables into cubes approximately 2cm/3/4in before processing.
- Biscuits should be broken into pieces and added down the feed tube whilst the appliance is running.
- When making pastry use fat straight from the fridge cut into 2cm/3/4in.cubes.
- Take care not to over-process.

19 dough tool

Use for yeasted dough mixes.

- Place the dry ingredients in the bowl and add the liquid down the feed tube whilst the appliance is running. Process until a smooth elastic ball of dough is formed this will take approx. 60 secs.
- Re-knead by hand only. Re-kneading in the bowl is not recommended as it may cause the processor to become unstable.

20 dual whisk

Use for light mixtures such as egg whites, cream, evaporated milk and for whisking eggs and sugar for fatless sponges.

using the whisk

- 1 Fit the bowl onto the power unit, add the detachable drive shaft.
- 2 Push each beater 7 securely into the drive head.
- 3 Fit the whisk by carefully turning until it drops over the drive shaft.
- 4 Add the ingredients.
- 5 Fit the lid - ensuring the end of the shaft locates into the centre of the lid.
- 6 Switch on.

important

- **The whisk is not suitable for making all in one cake mixes as these mixes are too heavy and will damage it. Always use the knife blade.**

hints

- Best results are obtained when the eggs are at room temperature.
- Ensure the bowl and whisks are clean and free from grease before whisking.

creaming fat and sugar

- For best results fat should be allowed to soften at room temperature (20°C) before creaming. **DO NOT use fat straight from the fridge as this will damage the whisk.**

- Heavier ingredients such as flour and dried fruit should be folded in by hand.
- Do not exceed the maximum capacity or processing time stated in the recommended speed chart.

21 folding tool

Use the folding tool to fold light ingredients into heavier mixtures for example meringues, mousses and fruit fools.

- 1 Fit the bowl onto the power unit, add the detachable drive shaft.
- 2 Push the paddle 8 securely into the drive head.
- 3 Fit the folding tool by carefully turning until it drops over the drive shaft.
- 4 Add the ingredients.
- 5 Fit the lid – ensuring the end of the shaft locates into the centre of the lid .
- 6 **Select low speed (speed 1 – 2).**

to remove the beater

Detach the beater from the drive head by pressing the release button 9.

hints

- Do not use Auto or high speed as a low speed is required to optimise the folding performance.
- For best results do not over whisk egg whites or cream – the folding tool will not be able to fold the mixture correctly if the whisked mix is too firm.
- Do not fold the mixture for longer than stated in the recommended speed chart as the air will be knocked out and the mix will be too loose.
- Any unmixed ingredients left on the paddle or sides of the bowl should be carefully folded in using the spatula.

22 max capacity disc

When blending liquids in the bowl, the max capacity disc must be used with the knife blade. It prevents leaking and improves the chopping performance of the blade.

- 1 Fit the bowl onto the power unit.
- 2 Fit the knife blade.
- 3 Add ingredients to be processed.
- 4 Fit the capacity disc over the top of the blade ensuring it sits on the ledge inside the bowl 10. **Do not push down on the capacity disc.**
- 5 Fit the lid and switch on.

slicing/grating discs

reversible slicing/grating discs - 4mm 23, 2mm 24

Use the grating side for cheese, carrots, potatoes and foods of a similar texture.

Use the slicing side for cheese, carrots, potatoes, cabbage, cucumber, courgette, beetroot and onions.

extra fine grater disc 25

Grates Parmesan cheese and potatoes for German potato dumplings.

fine julienne 26

Use to cut potatoes into straws and coarse grate for rosti, stir fries and vegetable garnishes.

safety

- **Never remove the lid until the cutting disc has completely stopped.**
- **Handle the cutting discs with care - they are extremely sharp.**
- **Do not overfill the bowl – do not exceed the maximum capacity level marked on the bowl.**

to use the cutting discs

- 1 Fit the bowl onto the power unit, add the detachable drive shaft ②.
- 2 Holding by the centre grip, place the disc onto the drive shaft with the appropriate side uppermost ⑩.
- 3 Fit the lid.
- 4 Put the food in the feed tube.

Choose which size feed tube you want to use. The pusher contains a smaller feed tube for processing individual items or thin ingredients.

To use the small feed tube - first put the large pusher inside the feed tube.

To use the large feed tube - use both pushers together.

- 5 Switch on and push down evenly with the pusher - **never put your fingers in the feed tube.**

hints

- Use fresh ingredients
- Don't cut food too small. Fill the width of the feed tube fairly full. This prevents the food from slipping sideways during processing. Alternatively use the small feed tube.
- When using the Julienne disc, place ingredients horizontally.
- When slicing or grating: food placed upright ⑫ comes out shorter than food placed horizontally ⑬.
- Food placed upright comes out shorter than food placed horizontal.
- There will always be a small amount of waste on the disc or in the bowl after processing.

⑳ mini bowl and knife

Use the mini processor bowl to chop herbs and process small quantities of ingredients e.g. meat, onion, nuts, mayonnaise, vegetables, purées, sauces and baby food.

The slicing/grating discs can also be used with the mini bowl.

Insert the mini bowl without the knife blade fitted and refer to the slicing/grating disc section for fitting and usage instructions.

Do not overfill the bowl.

- ① mini blade
- ② mini bowl

to use the mini bowl and knife

- 1 Fit the bowl onto the power unit, add the detachable drive shaft.
- 2 Fit the mini bowl over the detachable drive shaft - ensure the cut out sections align with the locating tabs ⑭ on the main bowl.
Note: The main bowl lid cannot be fitted if the mini bowl is not located correctly.
- 3 Place the knife blade over the drive shaft ⑮.
- 4 Add the ingredients to be processed.
- 5 Fit the lid and switch on.

safety

- Never remove the lid until the knife blade has completely stopped.
- The knife blade is very sharp - always handle with care.

important

- Do not process spices – they may damage the plastic.
- Do not process hard food such as coffee beans, ice cubes or chocolate – they may damage the blade.

hints

- Herbs are best chopped when clean and dry.
- Always add a little liquid when blending cooked ingredients to make baby food.
- Cut foods such as meat, bread, vegetables into cubes approximately 1-2 cm ($\frac{1}{2}$ – $\frac{3}{4}$ in) before processing.
- When making mayonnaise add the oil down the feed tube.

㉑ attachment storage box

Your food processor is supplied with a storage box for your bowl attachments and discs.

- 1 Fit the knife blade and discs into the storage box when not in use ⑰.
- 2 The storage box is fitted with a safety lock - close the lid to lock. To open, push the tab in ⑱ and lift up the lid ⑲.

㉒ compact chopper/grinder (optional)

Use the compact chopper/grinder for processing dry ingredients such as nuts, coffee beans and it is also suitable for processing a range of spices such as: -
Black peppercorns, cardamom seeds, cumin seeds, coriander seeds, fennel seeds, fresh ginger root, fresh chillies and whole cloves.

- ③ sealing ring
- ④ blade unit
- ⑤ lid
- ⑥ jar

to use your compact chopper/grinder

- 1 Put your ingredients into the jar. Fill it no more than half full.
- 2 Fit the sealing ring to the blade unit.
- 3 Hold the underside of the blade unit and insert the blades into the jar – turn anti-clockwise to lock ⑳.
- 4 Place the compact chopper/grinder onto the power unit and turn clockwise to lock ㉑.
- 5 Use the Auto button, or select a speed (refer to the recommended speed chart).

safety

- Never fit the blade unit to your food processor without the jar fitted.
- Never unscrew the jar while the compact chopper/grinder is fitted to your appliance.
- Do not touch the sharp blades – Keep the blade unit away from children.
- Never remove the compact chopper/grinder until the blades have completely stopped.
- To ensure the long life of your compact chopper/grinder, do not run it continuously for longer than 60 seconds. Switch off as soon as you have got the right consistency.

- The appliance will not work if the compact chopper/grinder is incorrectly fitted.
- Do not process turmeric root in the compact chopper/grinder as it is too hard and may damage the blades.

hints

- For optimum performance when processing spices we recommend that you do not process more than 100g at a time in the compact chopper/grinder.
- Whole spices retain their flavour for a much longer time than ground spices so it is best to grind a small quantity fresh at a time to retain the flavour.
- To release the maximum flavour and essential oils whole spices are best roasted prior to milling.
- Cut ginger up into small pieces before processing.
- For best results the mini bowl attachment is recommended when chopping herbs.


care & cleaning

- Always switch off and unplug before cleaning.
- **Handle the blades and cutting discs with care - they are extremely sharp.**
- Some foods may discolour the plastic. This is perfectly normal and won't harm the plastic or affect the flavour of your food. Rub with a cloth dipped in vegetable oil to remove the discolouration.

power unit

- Wipe with a damp cloth, then dry. Ensure that the interlock area is clear of food debris.
- Don't immerse the power unit in water.
- Store excess cord in the storage area at the back of the power unit 10.

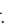
blender and compact chopper/grinder

- 1 Empty the goblet/jar, unscrew the blade unit by turning to the unlock position  to release.
- 2 Wash the goblet/jar by hand.
- 3 Remove and wash the seals.
- 4 Don't touch the sharp blades – brush them clean using hot soapy water, then rinse thoroughly under the tap. **Don't immerse the blade unit in water.**
- 5 Leave to dry upside down.

dual whisk

- Detach the beaters from the drive head by gently pulling them free. Wash in warm soapy water.
- Wipe the drive head with a damp cloth, then dry. **Do not immerse the drive head in water.**

folding tool

- Detach the beater from the drive head by pressing the release button . Wash in warm soapy water.
- Wipe the drive head with a damp cloth, then dry. **Do not immerse the drive head in water.**

all other parts

- Wash by hand, then dry.
- Alternatively they are dishwasher safe and can be washed on the top rack of your dishwasher. Avoid placing items on the bottom rack directly over the heating element. A short low temperature (Maximum 50°C) programme is recommended.

item	suitable for dishwashing
main bowl, mini bowl, lid, pusher	✓
knife blades, dough tool	✓
detachable drive shaft	✓
discs	✓
max capacity disc	✓
whisk beaters/folding tool paddle Do not immerse the drive head in water	✓
blender goblet, lid, filler cap	✓
blade unit and seal for blender	x
blade unit and seal for compact chopper/grinder	x
compact chopper/grinder jar	✓
spatula	✓

service & customer care

- If the cord is damaged it must, for safety reasons, be replaced by KENWOOD or an authorised KENWOOD repairer.
- **If you experience any problems with the operation of the processor, before calling for assistance refer to the troubleshooting guide.**

UK

If you need help with:

- using your appliance or
 - servicing, spare parts or repairs (in or out of guarantee)
- ☎ call Kenwood customer care on 023 9239 2333. **Have your model number (ie FPM800) and date code (5 digit code ie 12D15) ready.** They are on the underside of the power unit.

- **spares and attachments**

☎ call 0844 557 3653.

- **other countries**

Contact the shop where you purchased your appliance.

- Designed and engineered by Kenwood in the UK.
- Made in China.



IMPORTANT INFORMATION FOR CORRECT DISPOSAL OF THE PRODUCT IN ACCORDANCE WITH EC DIRECTIVE 2002/96/EC.

At the end of its working life, the product must not be disposed of as urban waste.

It must be taken to a special local authority differentiated waste collection centre or to a dealer providing this service.

Disposing of a household appliance separately avoids possible negative consequences for the environment and health deriving from inappropriate disposal and enables the constituent materials to be recovered to obtain significant savings in energy and resources. As a reminder of the need to dispose of household appliances separately, the product is marked with a crossed-out wheeled dustbin.

guarantee UK only

If your food processor goes wrong within one year from the date you bought it, we will repair it (or replace it if necessary) free of charge provided:

- it has been used in accordance with these instructions.
- you have not misused, neglected, or damaged it;
- it has not been modified (unless by KENWOOD);
- it is not second hand;
- it has not been used commercially;
- you have not fitted a plug incorrectly; and
- **you supply your receipt to show when you bought it.**

This guarantee does not affect your statutory rights.

troubleshooting guide

Problem	Cause	Solution
The processor will not operate.	<p>No Power. No power/indicator light not lit.</p> <p>Bowl not fitted to power unit correctly.</p> <p>Bowl lid not locked on correctly.</p> <p>Eco function operating.</p>	<p>Check processor is plugged in.</p> <p>Check bowl is located correctly and the handle is situated towards the right hand side.</p> <p>Check that the lid interlock is located correctly into the handle area.</p> <p>The processor will not work if the bowl and lid are fitted incorrectly.</p> <p>Press either the Auto Button or turn speed control on, then return to 'O' to switch off Eco function.</p> <p>If none of the above check the fuse/circuit breaker in your home.</p>
Compact chopper/grinder will not operate.	<p>Compact chopper/grinder not locked on correctly.</p> <p>Compact chopper/grinder not assembled correctly.</p>	<p>The compact chopper/grinder will not operate if fitted incorrectly to the interlock.</p> <p>Check blade unit is fully tightened onto the compact chopper/grinder jar.</p>
Blender will not operate.	<p>Blender not locked on correctly.</p> <p>Blender not assembled correctly.</p>	<p>The blender will not operate if fitted incorrectly to the interlock.</p> <p>Check blade unit is fully tightened into the goblet.</p>
Processor stops or slows during processing.	<p>Overload protection operated.</p> <p>Processor overloaded or overheated during operation.</p> <p>Maximum capacity exceeded.</p>	<p>Switch off, unplug and allow the appliance to cool down for approximately 15 minutes.</p> <p>Refer to the speed chart for maximum capacities to process.</p>
Power On light flashing rapidly.	<p>Normal operation.</p> <p>The light will flash if the bowl, lid or blender are not fitted to the power unit or not locked in place correctly.</p>	<p>Check interlocks are engaged correctly.</p>
Power On light flashing slowly.	<p>Normal operation.</p> <p>Food processor left plugged in for over 30 minutes without being operated and gone into Eco mode.</p>	<p>Press either the Auto Button or turn speed control on and then return to 'O' to switch off Eco function.</p>
Auto and Power On light flashing.	<p>Normal operation.</p> <p>The light will flash if the Auto selected but interlocks not engaged.</p>	<p>Check interlocks are engaged correctly or press the Auto button to switch off the Auto function.</p>
Blender or compact chopper/grinder leaking from blade assembly base.	<p>Seal missing.</p> <p>Seal incorrectly fitted.</p> <p>Seal damaged.</p>	<p>Check seal is fitted correctly and not damaged. To obtain a replacement seal see "service & customer care".</p>
Blender seal missing from blade unit when removed from packaging.	<p>The seal is packed pre-fitted to the blade unit.</p>	<p>Unscrew goblet and check that seal is fitted to blade unit.</p> <p>To obtain a replacement seal see "service & customer care".</p>
Poor performance of tools/attachments.	<p>Refer to hints in relevant "using the attachment" section. Check attachments are assembled correctly.</p>	

recipes ideas/suggestions

carrot and coriander soup

use the blender

25g (1oz) butter
50g (2oz) onion chopped
1 clove garlic crushed
640g (1lb 8oz) carrot cut into 1 cm cubes
cold chicken stock
10-15mls (2-3tsp) ground coriander
salt and pepper

- 1 Melt the butter in a pan, add the onion and garlic and fry until soft.
- 2 Place the carrot into the blender, add the onion and garlic. Add sufficient stock to reach the 1.6L level marked on the goblet. Fit the lid and filler cap.
- 3 Blend on maximum speed for 15 seconds for a coarse soup or longer for a finer result.
- 4 Transfer the mixture to a saucepan, add the coriander and seasoning and simmer the soup for 30 to 35 minutes or until cooked.
- 5 Adjust the seasoning as necessary and add extra liquid if required.

shortcrust pastry

use the knife blade

300g (12oz) plain flour
150g (6oz) mixture of lard and margarine cut into small pieces
2.5 mls (½ tsp) salt
45mls (3tbsp) cold water

- 1 Fit the knife blade and add the flour, salt and fat. Process for approximately 10 seconds or until the mixture looks like coarse breadcrumbs.
 - 2 Then add the water down the feed tube on low speed until the mixture looks like it is about to stick together.
 - 3 Turn out the mixture onto a worksurface and shape by hand. Use as required.
- For best results allow the pastry to rest before use. Place in a plastic bag or wrap in clingfilm and chill in the fridge for 20 minutes.

meringues

use the dual whisk & folding tool

4 egg whites (medium sized)
200g (8oz) caster sugar

Dual whisk

- 1 Whisk the egg whites at high speed until stiff.
- 2 Add half the sugar and continue to whisk until the mixture is glossy.

Folding tool

- 3 Remove the whisk, fit the folding tool and fold in the remaining sugar using speed 2.
- 4 Pipe the mixture onto trays lined with non-stick baking paper.
- 5 Bake in a pre-heated oven at 110°C/225°F/Gas mark ¼ for about 4 - 5 hours until firm and crisp. If they start to brown, leave the door slightly ajar.

lasagne

use the shredding disc & knife blade

300g (12oz) braising steak, cubed.
400g can of tomatoes
30mls (2tbsp) tomato puree
1 onion
5mls (1tsp) basil
100g (4oz) lasagne sheets
500g béchamel sauce
(50g (2oz) butter, 50g (2oz) plain flour, 500mls (1pt) milk)
200g (8oz) mozzarella cheese
15mls (1tbsp) oil
salt and pepper

- 1 Make the béchamel sauce - melt the butter and add the flour and cook for 2minutes. Then slowly add the milk, bring to the boil, stirring continuously. Simmer until mix starts to thicken.
- 2 Grate the cheese using the shredding disc.
- 3 Then separately chop the meat and onions with the knife blade.
- 4 Pre-heat the oil and fry the onions until softened, add the meat and fry until brown.
- 5 Then add the tomatoes, tomato puree and seasonings.
- 6 Stir well, cover and simmer gently for about 40minutes.
- 7 Cook the lasagne in plenty of salted boiling water until tender. Then drain well.
- 8 Place layers of meat, lasagne, béchamel sauce and cheese in a 1litre/2pint oven proof dish. Finish with a layer of cheese.
- 9 Bake at 190°C/375°F/Gas Mark 5 for 30minutes or until golden and bubbling.

all in one cake mix

use the knife blade

150g (6oz) soft margarine
150g (6oz) caster sugar
150g (6oz) self raising flour
5mls (1tsp) baking powder
3 eggs
15mls (1tbsp) warm water

filling & decoration

3tbsp strawberry jam
150mls (¼pt) double cream whipped (optional)
1tbsp icing sugar or caster sugar

- 1 Pre-heat the oven to 180°C/350°F/Gas mark 4 and grease two 18cm(7") shallow cake tins.
- 2 Fit the knife blade. Place all the ingredients for the sponge in the bowl and process for 5 seconds. Using a spatula, scrape the mixture into the centre of the bowl and process for a further 5 seconds.
- 3 Pour the mixture into the prepared tins and bake for 20-25minutes or until firm to a light touch and coming away from the edges slightly. If you are unsure whether the cake is cooked insert a thin skewer in the centre and it should come out clean. Turn out onto a wire cooling rack.
- 4 When cool spread the jam and cream over one of the cakes, top with the other cake and sprinkle with the sugar.

peach fruit fool

use the blender, dual whisk & folding tool

300g (12oz) whipping cream
300g (12oz) tinned peach slices (drained)

- 1 Put the peach slices in the blender and process on maximum speed until a smooth puree achieved.

Dual Whisk

- 2 Use the whisk to whip the cream on Auto for approx. 30 - 40 seconds or until the mix starts to form soft peaks.

Folding tool

- 3 Remove the whisk and fit the folding tool, then add the peach puree. Fold the puree through on low speed (1 – 2) for approx. 60 seconds.

- For best results after approx. 30 seconds use the spatula to loosen any unmixed ingredients from the side of the bowl. Place in the fridge to set for at least 2 hours.

Variations: substitute the peach slices for any other soft pureed fruit.

chocolate mousse (6 X 150mls servings)

use the dual whisk & folding tool

200g (7oz) dark chocolate (75% cocoa solids)
60mls (2 fl oz) warm water
3 large eggs (separated)
40g (1½ oz) caster sugar

- 1 Place the water in a large heatproof bowl sitting over a saucepan of simmering water. Break the chocolate into small pieces and place in the bowl to melt slowly with the warm water. Remove from the heat and stir to ensure smooth and glossy. Allow the chocolate to cool for 2-3 minutes and then stir in the egg yolks.

Dual Whisk

- 2 Place the egg whites in the bowl and use the dual whisk on Auto to whisk until soft peaks form (approx. 30 - 45 secs). Do not over whisk.

- 3 Whisk in the sugar, adding a third at a time. Whisk until the egg white mix looks glossy.

Folding tool

- 4 Add the folding tool into the bowl and pour the melted chocolate gently over the egg white mix. Use low speed (speed 1 – 2) and fold until the chocolate is incorporated (max 60 secs) . DO NOT overmix, any unprocessed mix should be gently folded in by hand.

- 5 Divide the mix between the serving glasses, cover with cling film and allow to chill in the fridge for at least 2 hours.

note

This mousse recipe uses raw eggs – ensure the eggs are fresh, in date and have been stored in the fridge. People with weak immunity or pregnant women should not eat raw eggs.

macaroons (approx. 20 large or 40 small)

use the dual whisk & folding tool

3 egg whites (approx. 115g/4oz)
120g (4½ oz) caster sugar
140g (5oz) ground almonds
120g (4½ oz) icing sugar
2.5ml (½ tsp) Vanilla extract

Dual Whisk

- 1 Place the egg whites in the bowl and use the dual whisk on Auto to whisk until soft peaks form (approx.60 secs). Do not over whisk.

- 2 Add the caster sugar a third at a time and mix on Auto until mixture thick and glossy (approx. 30seconds).

Folding tool

- 3 Remove the whisk and add the almonds, icing sugar and vanilla extract to the bowl. Fit the folding tool and use speed 2 to fold the mixture (approx 60seconds). DO NOT overmix, any unprocessed mix should be gently folded in by hand.

- 4 Line two baking trays with silicone paper and pipe out the mix.

- 5 Bake in a preheated oven at 140°C/275°F/Gas 1 for 20 minutes for the small macaroons and 45 minutes for the larger size. Allow to cool for 10 minutes before carefully removing from the silicone paper.

Variations:

Chocolate – add 30g/1oz cocoa powder to the ground almonds.

basic cake mix (creaming method)

use the dual whisk & folding tool

cake mix

200g (7oz) butter (softened)
200g (7oz) caster sugar
200g (7oz) medium eggs
200g (7oz) self raising flour (sieved)

Dual Whisk

- 1 Place the butter and sugar in the bowl and use the dual whisk on Auto to cream the butter and sugar together until light and fluffy (approx. 2 minutes).

- 2 Add the eggs, one at a time, mixing well after each addition.

Folding tool

- 3 Add the flour to the bowl and use the folding tool on low speed (Speed 1 - 2) to mix in the flour.
- 4 Carefully spoon the mix into cases and bake in a preheated oven for 15- 20 minutes at 180°C/350°F/Gas mark 4).

white bread

use the dough tool

500g (1lb 2oz) strong white bread flour

5mls (1tsp) salt

15g (½oz) lard

15g (½oz) fresh yeast or 10mls (2tsp) dried yeast + 5mls (1tsp)

caster sugar.

300mls (11 fl oz) warm water, 100mls (3½ fl oz) boiling water to

200mls (7½ fl oz) cold water

- 1 **Dried yeast (the type that needs reconstituting):** Add the yeast and sugar to the warm water. Leave to stand for 5 - 10 minutes until frothy.
Fresh yeast: crumble into the flour
Other types of yeast: follow the manufacturer's instructions.
- 2 Fit the dough tool or knife blade and add the flour (with fresh yeast if used), salt and lard. Process for a few seconds to evenly distribute the ingredients.
- 3 Then with the motor running quickly pour the liquid in a steady stream down the feed tube until the mixture forms an elastic soft dough. This will take about 60 seconds.
- 4 Remove the dough, place in a bowl, cover with an oiled piece of clingfilm or a plastic bag, and leave in a warm place for 45 - 60 minutes or until doubled in size.
- 5 Re-knead by hand for 2-3 minutes. Re-kneading in the bowl is not recommended as it may cause the processor to become unstable. Shape into a loaf or rolls and place on greased baking trays and leave until double in size.
- 6 Then bake in a pre-heated oven at 230°C/450°F/Gas mark 8 for 20 - 25 minutes for the loaf or 10 - 15 minutes for bread rolls. When ready they should sound hollow when tapped on the base.

دليل استكشاف الأخطاء وإصلاحها

المشكلة	السبب	الحل
عند إخراج وحدة الشفرات من التغليف لم يتم العثور على حلقة الإحكام الخاصة بالخلاط لا تعمل الأدوات/الملحقات بشكل جيد	يتم تزويد حلقة الإحكام داخل صندوق التغليف مركبة في وحدة الشفرات. راجعى التلميحات المتعلقة بكل أداة أو ملحوق في قسم «استخدام الملحوق». تأكدي من تركيب الملحقات بشكل صحيح.	فكي الدورق وتأكيد من تركيب حلقة الإحكام في مجموعة الشفرات. للحصول على حلقة إحكام بديلة، راجعي قسم «الصيانة ورعاية العملاء».

دليل استكشاف الأخطاء وإصلاحها

المشكلة	السبب	الحل
جهاز تحضير الطعام لا يعمل.	الجهاز غير موصل بمصدر تيار كهربائي. لا يوجد ضوء تشغيل/مؤشر غير مضاء. الوعاء غير مركب على وحدة الطاقة بشكل صحيح. غطاء وعاء تحضير الطعام غير مركب بشكل صحيح.	تحقق من السلك الكهربائي وأنه موصل بمنفذ التيار الكهربائي. تأكد من تركيب وعاء التقطيع بشكل صحيح وأن المقبض متجه ناحية اليمين. تأكد من تعشيق الغطاء العلوي بشكل صحيح في منطقة المقبض.
لن تعمل القطاعة/المفرمة الصغيرة	القطاعة/المفرمة الصغيرة غير معشقة بشكل صحيح. القطاعة/المفرمة الصغيرة غير مركبة بشكل صحيح.	لن يعمل جهاز تحضير الطعام في حالة تركيب وعاء التقطيع والغطاء العلوي بشكل غير صحيح. اضغطي على زر سرعة التشغيل التلقائية "Auto" أو تشغيل مفتاح تحديد السرعات ثم إعادته إلى موضع إيقاف التشغيل "O" لإيقاف تشغيل وظيفة توفير الطاقة "Eco". في حالة عدم حل المشكلة بالحلول أعلاه، تحقق من المنصهر/قاطع الدائرة الكهربائية في المنزل.
المسيل لا يعمل	المسيل غير مركب بشكل صحيح. لم يتم تركيب المسيل بالطريقة الصحيحة.	لن تعمل القطاعة/المفرمة الصغيرة في حالة تركيبها بشكل غير صحيح في موضع تعشيق القفل. تأكد من ربط وحدة الشفرات بإحكام في الوعاء الخاص بالقطاعة/المفرمة الصغيرة.
يتوقف جهاز تحضير الطعام أو تبطأ سرعته أثناء التشغيل	تم تشغيل وظيفة الحماية ضد التحميل الزائد. هناك تحميل زائد أو تجاوز لدرجة الحرارة المسموح بها أثناء عملية تشغيل جهاز تحضير الطعام. تم تجاوز السعة القصوى المحددة.	لن يعمل الخلاط في حالة التركيب بشكل غير صحيح في موضع تعشيق القفل. تأكد من ربط وحدة الشفرات بإحكام في الدورق الطحن.
مؤشر تشغيل الطاقة "Power On" يومض بشكل سريع	التشغيل العادي. يومض المؤشر في حالة عدم تركيب السلطانية أو الغطاء العلوي أو الخلاط على وحدة الطاقة (الموتور) أو في حالة عدم تركيب أي من هذه الأجزاء بشكل صحيح في مواضعها.	أوقف تشغيل الجهاز وافصله عن مصدر التيار الكهربائي واتركه ليبرد لمدة ١٥ دقيقة تقريباً. راجع جدول السرعات للحصول على السعات القصوى المستخدمة في تحضير الطعام.
مؤشر تشغيل الطاقة "Power On" يومض بشكل بطيء	التشغيل العادي. ترك جهاز تحضير الطعام قيد التوصيل بمصدر التيار الكهربائي دون استخدامه لمدة أطول من ٢٠ دقيقة ويدخل الجهاز في وضع توفير الطاقة "Eco".	تأكد من إحكام قفل آلية التعشيق أو اضغطي على زر سرعة التشغيل التلقائية "Auto" لإيقاف وظيفة سرعة التشغيل التلقائية "Auto".
مؤشر تشغيل الطاقة "Power On" وزر سرعة التشغيل التلقائية "Auto" يومضان	التشغيل العادي. سيومض المؤشر في حالة اختبار وظيفة سرعة التشغيل التلقائية "Auto" دون إحكام آلية التعشيق.	تحقق من تركيب حلقة الإحكام في موضعها الصحيح وبطريقة صحيحة وأنها غير تالفة. للحصول على حلقة إحكام لاستبدال الحلقة التالفة، راجع قسم «الصيانة ورعاية العملاء».
المسيل يسرب من قاعدة مجموعة الشفرات.	حلقة الإحكام غير مركبة في موضعها جيداً. حلقة الإحكام تالفة.	

الخدمة ورعاية العملاء

- في حالة تلف السلك الكهربائي، يجب استبداله لأسباب متعلقة بالسلامة من قبل KENWOOD أو مركز صيانة معتمد من قبل KENWOOD.
- إذا واجهتم أية مشاكل في تشغيل الجهاز، فالرجاء مراجعة دليل تحري الخلل وإصلاحه اذناه قبل طلب المساعدة.
- إذا أردت الحصول على مساعدة بشأن:
- استخدام الجهاز عمليات صيانة وإصلاحات
- اتصلي بالمتجر الذي اشتريته منه الجهاز.
- تصميم وتطوير Kenwood في المملكة المتحدة.
- صنع في الصين.



معلومات هامة حول كيفية التخلص الصحيحة من المنتج وفقا لتوجيه الاتحاد الأوروبي 2002/96/EC.

في نهاية العمر التشغيلي للجهاز، يجب عدم التخلص من الجهاز في نفايات المناطق الحضرية.

بل يجب أخذه إلى مركز تجميع خاص بجهة محلية متخصصة في التخلص من هذه النفايات أو إلى تاجر يقدم هذه الخدمة.

التخلص من الأجهزة المنزلية على نحو منفصل، يجنب الآثار السلبية المحتملة على البيئة والصحة والتي تنتج عن التخلص من هذه النفايات بطريقة غير مناسبة، كما أن هذه العملية تسمح باسترداد المواد المكونة الأمر الذي يتيح الحصول على وفورات كبيرة في مجال الطاقة والموارد. للتذكير بضرورة التخلص من الأجهزة المنزلية على نحو منفصل، يوجد على الجهاز صورة مشطوبة لسلة قامامة ذات عجلات.

29) القطاعة/المفرمة الصغيرة (ملحق اختياري)

استخدمي القطاعة/المفرمة الصغيرة لتحضير المكونات الجافة مثل المكسرات وحبوب القهوة كما أنها مناسبة أيضاً لتحضير العديد من التوابل مثل: -
حبوب الفلفل الأسود وبذور الهيل وبذور الكمون وبذور الكزبرة وبذور الشمرية وبذور الزنجبيل الطازجة وقرن الفلفل الحار.

Ⓒ حلقة إحكام الإغلاق

Ⓓ وحدة الشفرة

Ⓔ وعاء الطحن

Ⓕ الغطاء العلوي

استخدام القطاعة/المفرمة الصغيرة

- ضعي المكونات داخل وعاء القطاعة/المفرمة. لا تملئي الوعاء بما يزيد على النصف.
- ركبي حلقة الإحكام على وحدة الشفرات.
- أمسكي الجانب السفلي لوحدة الشفرات وركبي الشفرات داخل وعاء الطحن - ثم أدبريه في اتجاه عكس عقارب الساعة لإحكام القفل 20.
- ضعي القطاعة/المفرمة الصغيرة على وحدة الطاقة (الموتور) ثم لفها في اتجاه عقارب الساعة حتى تستقر في موضع التعشيق 21.
- استخدمي زر التشغيل التلقائي "Auto" أو حدي السرعة المطلوبة (راجع جدول السرعات الموصى بها).

لسلامتك

- يحذر تركيب وحدة الشفرات في جهاز تحضير الطعام بدون تركيب وعاء الطحن.
- يحذر فك وعاء القطاعة/المفرمة الصغيرة أثناء تركيبها في الجهاز.
- لا تلمسي الشفرات الحادة - ابعدي وحدة الشفرات عن متناول الأطفال.
- يحذر إزالة القطاعة/المفرمة الصغيرة قبل توقف الشفرات عن الحركة تماماً.
- لضمان الحصول على عمر تشغيلي طويل للقطاعة/المفرمة الصغيرة، لا تشغيلها لفترة مستمرة أطول من ٦٠ ثانية. أوقفي تشغيلها بمجرد حصولك على القوام المطلوب.
- لن يعمل الجهاز في حالة تركيب القطاعة/المفرمة الصغيرة بشكل غير صحيح.
- لا تحضري جذور الكركم بواسطة القطاعة/المفرمة الصغيرة حيث أنها صلبة جداً وقد تتلف الشفرات.

تلميحات

- للحصول على الأداء الأمثل عند تحضير التوابل ننصحك بعدم تحضير أكثر من ١٠٠ غرام من المكونات في المرة الواحدة داخل القطاعة/المفرمة الصغيرة.
- تحتفظ قرون التوابل الكامل بنكهتها فترة زمنية أطول من التوابل المطحونة لذلك فمن الأفضل طحن كمية صغيرة من قرون التوابل الكاملة لاستخدامها وذلك للاحتفاظ بالنكهة.
- للحصول على أقصى نكهة وزيت أساسية من قرون التوابل الكاملة فمن الأفضل تحميص التوابل قبل طحنها.
- قطع الزنجبيل إلى قطع صغيرة قبل تحضيره.
- للحصول على أفضل النتائج ننصحك باستخدام وعاء الطحن الصغير عند فرم الأعشاب.

العناية والتنظيف

- أوقفي دائماً تشغيل الجهاز وافصله عن مصدر التيار الكهربائي قبل التنظيف.
- توخي الحذر أثناء التعامل مع الشفرات وأسطح التقطيع هذه الأجزاء حادة جداً.
- قد تؤثر بعض الاغذية على لون البلاستيك. هذا امر طبيعي تماماً ولا يضر بالبلاستيك او يؤثر على نكهة الطعام. امسحي البلاستيك بقماش مغموس في زيت نباتي لإزالة تغيير اللون.

وحدة الطاقة

- تمسح بقطعة قماش رطبة، ثم تجفف. تأكد من خلو منطقة الترابط من بقايا الطعام.
- لا تقومي بغمر وحدة الطاقة في الماء.
- قومي بلف السلك الزائد في مكان تخزين السلك أسفل وحدة الطاقة 16.

الخلاط والقطاعة/المفرمة الصغيرة

- أفرغي الدورق/الوعاء وفكي وحدة الشفرات عن طريقها لفها حتى موضع الفتح 17 وذلك لتحريرها.
- اغسلي الدورق/الوعاء يدوياً.
- أزيلي حلقات الإحكام واغسليها.
- لا تلمسي الشفرات الحادة - قومي بتنظيف الشفرات بواسطة الفراشة باستخدام ماء ساخن وصابون، ثم قومي بشطفها جيداً تحت الصنبور.
- لا تقومي بغمر وحد الشفرات في الماء.
- اتركيها تجف في وضع مقلوب.

مضرب البيض الثنائي

- افصلي ذراعي الخفق من رأس المحرك بشدهما برفق نحو الخارج.
- اغسليهما بالماء الدافئ والصابون.
- امسحي رأس المحرك بقطعة قماش رطبة، ثم تجفيفها. لا تغمري رأس المحرك في الماء.

أداة الطي

- فكي المضرب من رأس المحرك من خلال الضغط على زر التحرير 9.
- اغسليه بالماء الدافئ والصابون.
- امسحي رأس المحرك بقطعة قماش رطبة، ثم جففيها. لا تغمري رأس المحرك في الماء.

جميع الأجزاء الأخرى

- تغسل باليد ثم تجفف.
- حيث أنه من الآمن غسل هذه المكونات في غسالة الأطباق فبطريقة أخرى يمكن غسلها على الرف العلوي في غسالة الأطباق. تجنبي وضع العناصر على الرف السفلي مباشرة فوق عنصر التسخين. يوصى باستخدام برنامج قصير مع درجة حرارة منخفضة (٥٠ درجة مئوية كحد أقصى).

العناصر المناسبة للغسيل داخل غسالة الأطباق	العنصر
✓	السلطانية الرئيسية، السلطانية الصغيرة، الغطاء العلوي، عصا دفع المكونات
✓	سكين التقطيع، أداة العجين
✓	محور الدوران
✓	الأقراص
✓	قرص السعة القصوى
✓	مضرب البيض/بدالا أداة الطي لا تغمري رأس المحرك في الماء.
✓	دورق الخلاط، الغطاء العلوي، فتحة التعبئة
✗	وحدة الشفرات وحلقة الإحكام الخاصة بالخلاط
✗	وحدة الشفرات وحلقة الإحكام الخاصة بالقطاعة/المطحنة الصغيرة
✓	وعاء القطاعة/المفرمة الصغيرة
✓	مقشطة

أقراص التقطيع/التقطيع الطولي (البشر)

أسطح التقطيع/التقطيع الطولي القابلة للعكس - 4mm²³

2mm²⁴

استخدم جانب التقطيع الطولي مع الجبن والجزر والبطاطس والأطعمة التي لها نفس ذلك القوام.

استخدم جانب التقطيع مع الجبن والجزر والبطاطس والكرنب والخيار والكوسة والبنجر والبصل.

قرص التقطيع الطولي (البشر) الناعم²⁵

يستخدم في بشر جبن البارميزان والبطاطس لتحضير فطائر البطاطس الألمانية.

قرص تقطيع أصابع رفيعة²⁶

استخدمه لتقطيع البطاطس إلى أصابع رفيعة أو مبشور خشن لتحضير الروستي والبطاطس المشوطة ومرق زينة الخضروات.

لسلامتك

- يحذر إزالة الغطاء العلوي قبل توقف أسطح التقطيع تماماً.
- توخي الحذر أثناء التعامل مع سطح التقطيع - أسطح التقطيع حادة جداً
- لا تتجاوزي السعة القصوى للسلطانية - لا تتجاوزي السعة القصوى المشار إليها على السلطانية.

استخدام أسطح التقطيع

١ ركب السلطانية على وحدة الطاقة (الموتور) ثم ركب محور الدوران القابل للفك والتركيب².

٢ امسك سطح التقطيع من المقبض المركزي ثم ضعي السطح على محور الدوران مع توجيه السطح الملائم لأعلى¹¹.

٣ ركب الغطاء العلوي.

٤ أدخلي الطعام من خلال أنبوب إدخال المكونات.

اختاري حجم فتحة إدخال المكونات المراد استخدامها. تتضمن مجموعة عصا دفع المكونات أنبوب تغذية صغير لإدخال المكونات الرفيعة أو المكونات في صورة فردية على حدة.

لاستخدام أنبوب إدخال الطعام الصغير - ركبى أولاً مقبض دفع الطعام الكبير داخل أنبوب إدخال الطعام.

لاستخدام أنبوب إدخال الطعام الكبير - استخدم مقبض دفع الطعام معاً.

٥ شغلي الجهاز مع دفع الطعام بالتساوي بواسطة عصا دفع المكونات - احذري وضع أصابعك داخل فتحة إدخال المكونات.

تلميحات

- استخدم مكونات طازجة.
- لا تقطعي الطعام إلى قطع صغيرة جداً. اجعلي عرض (مقطع) أنبوب إدخال المكونات ممتلئ بشكل متساو. يحول ذلك دون انزلاق الطعام على الجوانب أثناء تحضير الطعام. بطريقة أخرى، يمكنك استخدام أنبوب إدخال الطعام الصغير.
- عند استخدام سطح تقطيع أصابع رفيعة، ضعي المكونات بشكل أفقي.
- عند التقطيع أو البشر: الطعام الموضوع بشكل رأسي¹² يخرج قصيراً عن الطعام الموضوع بشكل أفقي¹⁶.
- الطعام الموضوع بشكل رأسي يخرج قصيراً عن الطعام الموضوع بشكل أفقي.
- تبقى هناك دائماً كمية صغيرة من الفضلات على سطح التقطيع أو في السلطانية بعد تحضير الطعام.

27 السلطانية الصغيرة والشفرات

استخدمي وعاء تحضير الطعام الصغير لتقطيع الأعشاب و تحضير كميات صغيرة من الطعام ومثال على ذلك، اللحم والبصل والبنجر والمايونيز والخضراوات والمعجنات والصلصات وغذاء الأطفال.

يمن استخدام أقراص التقطيع/البشر مع السلطانية الصغيرة.

أدخلي السلطانية الصغيرة بدون تركيب نصل السكين ثم راجعي قسم قرص التقطيع/البشر لمعرفة تعليمات التركيب والاستخدام.

لا تتجاوزي السعة القصوى للسلطانية.

١) السكين الصغير

٢) السلطانية الصغيرة

استخدام السلطانية الصغيرة والسكين الصغير

١ ركب السلطانية على وحدة الطاقة (الموتور) ثم ركب محور الدوران القابل للفك والتركيب.

٢ ركب السلطانية الصغيرة على محور الدوران - تأكد أن المقاطع المقصوفة تتحاذى مع السنّة الاستقرار¹⁴ في السلطانية الرئيسية.

ملاحظة: لا يمكن تركيب الغطاء الخاص بالسلطانية الرئيسية في حالة عدم تركيب السلطانية الصغيرة بشكل صحيح.

٣ ضعي سكين التقطيع على محور الدوران¹⁵.

٤ ضعي المكونات المراد تحضيرها.

٥ ركب الغطاء العلوي وشغلي الجهاز.

لسلامتك

● يحذر إزالة الغطاء العلوي قبل توقف سكين التقطيع تماماً.

● سكين التقطيع حاد جداً - توخي الحذر دائماً عند التعامل معه.

هام

- لا تقومي بتحضير التوابل - فقد تؤذي البلاستيك.
- لا تقومي بتحضير الطعام الصلب مثل حبوب القهوة ومكعبات الثلج أو الشوكولاته - فقد يتلف سكين التقطيع.

تلميحات

- يمكن الحصول على أفضل النتائج عند فرم الأعشاب النظيفة والجافة.
- أضيفي دائماً كمية قليلة من السائل عند خلط مكونات سابقة الطهي عند تحضير غذاء الأطفال.
- قطعي الطعام مثل اللحم أو الخبز أو الخضراوات إلى مكعبات بحجم تقريبي ١-٢ سم قبل التحضير.
- عند تحضير المايونيز أضيفي الزيت من خلال أنبوب إدخال الطعام.

28 صندوق تخزين الملحقات

جهاز تحضير الطعام مزود بصندوق لتخزين الملحقات.

١ ضعي نصل السكين والأقراص داخل صندوق التخزين في حالة عدم استخدامها¹⁷.

٢ صندوق التخزين مجهز بقفل أمان - اقلبي الغطاء العلوي ليتم قفل الصندوق بأمان. لفتح الصندوق، اضغطي على اللسان¹⁸ للداخل وارفعي الغطاء العلوي¹⁹.

استخدام الملحقات

راجعى جدول سرعات التشغيل الموصى بها لكل ملحق.

18) سكين التقطيع

يعتبر سكين التقطيع أكثر الملحقات من حيث تعددية الاستخدام. تحدد طول فترة التشغيل القوام الناتج. للحصول على قوام خشن، استخدمى وضع التشغيل النبضي. استخدمى سكين التقطيع لتحضير الكيك والمعجنات أو فرم اللحم الخام أو المطهى، استخدميه أيضاً لتحضير الخضراوات والمكسرات والبطاطا والمغموسات والحساء المهروس وأيضاً لتحضير كسر البسكويت والخبز.

تلميحات

- قطعي الطعام مثل اللحم أو الخبز أو الخضراوات إلى مكعبات بحجم تقريبي ٢ سم قبل التحضير.
- يجب تكسير البسكويت إلى قطع صغيرة وإضافته عن طريق غطاء أنبوب إدخال المكونات أثناء تشغيل الجهاز.
- عند تحضير المعجنات استخدمى الدهون مباشرة من المجمد مع تقطيعها في صورة مكعبات بحجم تقريبي ٢ سم.
- توخى الحذر حتى لا تتجاوزى الفترة المطلوبة لتحضير الطعام.

19) أداة العجين

تستخدم مع خلطات العجين المخمرة.

- ضعي المكونات الصلبة في السلطانية وأضيفي السائل عن طريق أنبوب إدخال المكونات أثناء تشغيل الجهاز. استمري في التشغيل حتى تكون كرات لدنة من العجين، تستغرق هذه العملية نحو ٦٠ ثانية.
- أعيدي العجن بيدك فقط، غير منصوح بإعادة العجن في السلطانية حيث قد يؤدي ذلك إلى عدم استقرار جهاز تحضير الطعام.

20) خفاقة البيض الثنائية

يستخدم للخلطات الخفيفة مثل بياض البيض أو القشدة أو الحليب المجفف وأيضاً لخفق البيض والسكر لتحضير الكيك الإسفنجي الخالي من الدسم.

استخدام مضرب البيض

- ١ ركبي السلطانية على وحدة الطاقة (الموتور) ثم ركبي محور الدوران القابل للفك والتركيب.
- ٢ ادفعي كل مضرب 7 بإحكام داخل رأس المحرك.
- ٣ ركبي مضرب البيض من خلال لفه بحذر حتى يسقط على محور الدوران.
- ٤ أضيفي المكونات.
- ٥ ركبي الغطاء العلوي - مع التأكد من استقرار طرف محور الدوران في مركز الغطاء العلوي.
- ٦ شغلي الجهاز.

هام

- مضرب البيض غير مناسب للاستخدام مع خلطات الكعكات الجاهزة حيث أن قوام هذه الكعكات ثخين وسوف يتسبب في تلف المضرب. استخدمى دائماً نصل السكين.

تلميحات

- يمكنك الحصول على أفضل النتائج عندما تكون درجة حرارة البيض هي نفس درجة حرارة الغرفة.
- تأكدي من نظافة السلطانية ومضرب البيض وعدم وجود أي دهون قبل الخفق.

مزج السمن/الزبد مع السكر

- للحصول على أفضل النتائج، يترك السمن/الزبد ليصبح طرياً في درجة حرارة الغرفة (٢٠ درجة مئوية) قبل الخفق. لا تستخدمى السمن/الزبد مباشرة بعد إخراجه من الفلاجة لأن ذلك سيؤدي إلى تلف المضرب.
- المكونات الثخينة مثل الدقيق والفواكه المجففة يجب فركها باليد لتصبح طرية.
- لا تتجاوزى السعات القصوى الموصى بها أو فترات المعالجة المحددة في جدول السرعات الموصى بها.

21) أداة الطي

استخدمى أداة الطي لخلط المكونات خفيفة القوام مع المكونات ثخينة القوام لتحضير المرغ والموس ومهروس الفواكه مع الكريمة.

- ١ ركبي السلطانية على وحدة الطاقة (الموتور) ثم ركبي محور الدوران القابل للفك والتركيب.
- ٢ ادفعي المضرب 8 بإحكام داخل رأس المحرك.
- ٣ ركبي أداة الطي عن طريق لفها بحذر حتى تسقط فوق محور الدوران.
- ٤ أضيفي المكونات.
- ٥ ركبي الغطاء العلوي - مع التأكد من استقرار طرف محور الدوران في مركز الغطاء العلوي.
- ٦ اختاري سرعة بطيئة (السرعة ١ - ٢).

إزالة المضرب

فكي المضرب من رأس المحرك من خلال الضغط على زر التحرير 9.

تلميحات

- لا تستخدمى السرعة التلقائية (Auto) أو سرعة عالية حيث يتطلب استخدام سرعة بطيئة لتحسين عملية الطي.
- للحصول على أفضل النتائج، لا تزيد في خفض بياض البيض أو القشدة - لن تستطيع أداة الطي الخلط بشكل جيد إذا أصبح الخليط صلباً.
- لا تخلطي الخلطات بأداة الطي لفترة أطول من المشار إليها في جدول السرعات الموصى بها حيث سيتسرب الهواء إلى الخارج ويصبح الخليط سائلاً.
- أية مكونات عالقة على المضرب أو جوانب السلطانية يجب كشطها بحذر باستخدام الملعقة البلاستيكية وخطها مع الخليط.

22) قرص السعة القصوى

عند خلط السوائل في السلطانية، يجب استخدام قرص السعة القصوى مع نصل السكين. حيث يعمل القرص على تحسين الفرم ومنع التسرب.

- ١ ركبي السلطانية على وحدة الطاقة (الموتور).
- ٢ ركبي سكين التقطيع.
- ٣ ضعي المكونات المراد تحضيرها.
- ٤ ركبي قرص السعة القصوى على قمة نصل السكين وتأكدي من استقرارها على الحافة الموجودة داخل السلطانية 10. لا تضغطي على قرص السعة القصوى لأسفل.
- ٥ ركبي الغطاء العلوي وشغلي الجهاز.

جدول السرعات الموصى بها

الاداة/الملحق	الوظيفة	السرعة الموصى بها	زمن المعالجة *	السعات القصوى
سكين التقطيع	خلطات الكعكات الجاهزة	٨	١٥ إلى ٢٠ ثانية	الوزن الإجمالي ١.٧ كغم
	المعجنات - خلط السمن مع الدقيق إضافة الماء لدمج مكونات المعجنات	٥ - ٨	١٠ إلى ٢٠ ثانية	الوزن الإجمالي ٥٠٠ غ
	فرم الأسماك واللحوم الباطشو والقوالب	تشغيل نبضي - ٨	١٠ إلى ٢٠ ثانية	٨٠٠ غ لحم بقري طري
	فرم الخضراوات	تشغيل نبضي	٥ إلى ١٠ ثانية	٥٠٠ غ
	فرم المكسرات	٨	٣٠ إلى ٦٠ ثانية	٢٠٠ غ
	هرس الفواكه اللينة والفواكه والخضروات المطهية الصلصات ومرق التوابل والمغموسات	٨	١٠ إلى ٣٠ ثانية	١ كغم
سكين التقطيع مع قرص السعة القصوى	الحساء البارد	ابدئي على السرعة المنخفضة مع الزيادة حتى السرعة القصوى	٣٠ إلى ٦٠ ثانية	١.٧ لتر
	الحليب المخفوق/العجائن السائلة		١٥ إلى ٢٠ ثانية	١.٣ لتر
مضرب البيض الثنائي	بياض البيض	٨	٦٠ إلى ٩٠ ثانية	٣ (١٥٠ غ)
	البيض والسكر للكيك الإسفنجي خالي الدسم	٨	٤ إلى ٥ دقائق	٣ ببيضات (١٥٠ غ)
	القسدة	٨	٣٠ ثانية	٥٠٠ مل
	مزج السمن مع السكر	٨	٢ دقيقة كحد أقصى	٥٠٠ مل سمن/زيد ٥٠٠ مل سكر
أداة العجين	الخلطات المخمرة	٨	٦٠ ثانية	الوزن الإجمالي ١ كغم
	دقيق الخبز الأبيض	٨	٦٠ ثانية	الوزن الإجمالي ٦٠٠ غ
	دقيق الخبز الأسمر	٨	٦٠ ثانية	الوزن الإجمالي ٥٠٠ غ
أداة الطي	القسدة المخفوقة ومهروس الفواكه	سرعة التشغيل التلقائية	٣٠ ثانية	٥٠٠ غ قسدة ٥٠٠ غ مهروس
	بياض البيض في الخلطات الثخينة	سرعة التشغيل التلقائية	٣٠ ثانية	الوزن الإجمالي ٦٠٠ غ
	رشى الدقيق على خلطات الكريمة من السمن والسكر	١ - ٢	٦٠ ثانية	وزن الدقيق ٢٠٠ غ
	المكارون	١ - ٢	٦٠ ثانية	الوزن الإجمالي ٥٠٠ غ
	الطعام صلب مثل الجزر، والجبن الصلب	٥ - ٨	-	-
قرص التقطيع/التقطيع الطولي	المكونات اللينة مثل الخيار، الطماطم	١ - ٥	-	لا تتجاوزي السعة القصوى المشار إليها على السلطانية
	جبن بارميزان، البطاطس لفتائر البطاطس الألمانية	٨	-	-
	أصابع البطاطس والروستي البطاطس المشوطة ومرق زينة الخضروات	٨	-	-
الخلط المقام للحرارة	السوائل والمشروبات الباردة	٨	١٥ إلى ٢٠ ثانية	١.٦ غ
	حساء اللحوم	٨	٣٠ ثانية	١.٢ غ
	الحساء المحضر مع الحليب	٨	٣٠ ثانية	١ غ
ننصح بترك المكونات الساخنة لكي تبرد قبل خلطها. وعلى الرغم من ذلك إذا أردتي خلط المكونات الساخنة، فيرجى مراجعة تعليمات خلط المكونات الساخنة.				
السلطانية الصغيرة والشفرات	اللحوم	٨	٢٠ ثانية + تشغيل نبضي	٥٠٠ غ لحم بقري طري
	فرم الأعشاب	٨	٣٠ ثانية	٢٠ غ
	فرم المكسرات	٨	٣٠ ثانية	١٠٠ غ
	المايونيز	٨	٣٠ ثانية	٢ ببيضات ٣٠٠ غ زيت
	المهروسات	٨	٣٠ ثانية	٢٠٠ غ
السلطانية الصغيرة والأقراص	راجعى السرعات الموصى بها لكل قرص على حدة	-	-	٥٠٠ غ بحد أقصى لا تتجاوزي السعة القصوى
القطاعة/المفرمة الصغيرة (ملحق اختياري)	تحضير العديد من التوابل	٨	٣٠ إلى ٦٠ ثانية	١٠٠ غ
	طحن حبوب القهوة	٨	٣٠ ثانية	٧٥ غ
	فرم المكسرات	تشغيل نبضي	١٠ ثانية	١٤٠ غ

* الأزمنة المعروضة هي أزمنة إرشادية فقط وتختلف حسب الوصفة والمكونات المستخدمة.

هام: تعليمات خاصة بخلط المكونات الساخنة

لتجنب إصابتك بأي حروق جلدية أثناء الخلط، ابعدي يديك وأجزاء جسمك القريبة من الغطاء العلوي لتفادي حدوث أي حروق جلدية ممكنة. يجب الالتزام بالإرشادات الوقائية التالية:

- **تنبيه: خلط المكونات شديدة السخونة قد ينتج عنه خروج سوائل ساخنة وأبخرة فجة من خلال الغطاء العلوي أو فتحة التعبئة.**
- **ننصح بترك المكونات الساخنة لكي تبرد قبل خلطها.**
- **يحذر تجاوز سعة ١٢٠٠ مل/ ٥ أكواب عند خلط سوائل ساخنة مثل الحساء (راجع العلامات الموضحة على الدورق).**
- **ابدئي الخلط دائماً على سرعة منخفضة ثم زبدي السرعة تدريجياً. يحذر خلط السوائل الساخنة باستخدام إعداد التشغيل النبضي (المتقطع).**
- **السوائل التي تؤدي إلى تكوين رغوة عند خلطها مثل الحليب، يجب ألا تتجاوز كميتها سعة ١٠٠٠ مل/ ٤ أكواب.**
- **توخي الحذر عن التعامل مع الخلاط والدورق حيث أن الخلاط والدورق ومحتوياته ستكون جميعها ساخنة.**
- **توخي بالغ الحذر عند إزالة الغطاء العلوي. صمم الغطاء العلوي ليتم تركيبه بإحكام لتجنب حدوث أي تسرب. إذا دعت الضرورة، استخدم قطعة من القماش أو قفازات الفرن لحماية يديك عند التعامل مع الغطاء العلوي.**
- **تأكد من تركيب الدورق بإحكام على القاعدة وعند إزالة الجهاز وجهي القاعدة وتأكد من إزالتها مع الدورق سوياً.**
- **تأكد من تركيب الغطاء العلوي وفتحة التعبئة في موضعهما بشكل صحيح وإحكام قبل كل مرة تقومي فيها باستخدام الخلاط.**
- **تأكد دائماً من عدم انسداد فتحات التهوية الموجودة في فتحة التهوية في كل مرة تقومي فيها باستخدام الخلاط (راجع الشكل ١٧).**
- **عند تركيب الغطاء العلوي على الدورق تأكد دائماً من نظافة الغطاء العلوي وحافة الدورق وجففيهما للتأكد من التركيب بإحكام ومنع حدوث أي تناثر.**

ملاحظات مفيدة

- عند تحضير المايونيز، ضعي كل المكونات في المسيل عدا الزيت. أزيل غطاء فتحة التعبئة، ثم صبّي الزيت بطريقة بطيئة من خلال الفتحة الموجودة في الغطاء العلوي أثناء تشغيل الجهاز.
- قد تحتاج الخلطات السميكة مثل المعجنات الهشة والمغموسات إلى تقطيع. إذا وجدت صعوبة في تحضيرها، أضيفي المزيد من السوائل.
- جرش الثلج - استخدم وضع التشغيل النبضي حتى الحصول على قوام الجرش المطلوب.
- غير منصوح بطحن التوابل فقد تؤدي إلى إحداث أضرار بالأجزاء البلاستيكية.
- لن يعمل الجهاز في حالة تركيب المسيل بشكل غير صحيح.
- لخلط مكونات جافة - قطعها إلى أجزاء صغيرة ثم أزيل غطاء فتحة التعبئة وأسقطها قطعة تلو الأخرى أثناء تشغيل الجهاز. أبق يديك فوق الفتحة للحصول على أفضل النتائج أفرغي المحتويات بشكل منتظم.
- لا تستخدم المسيل كحاوية تخزين. حافظي على الدورق فارغاً قبل وبعد الاستخدام.
- لا تخلطي سعة أكبر من ١.٦ لتر - استخدم سعة أقل مع السوائل الرغوية مثل الحليب المخفوق.

لاستعمال جهاز معالجة الطعام

١ ركبي السلطانية على وحدة الطاقة (الموتور). ضعي المقيض للخلف ناحية الجانب الأيمن ولقي في اتجاه عقارب الساعة حتى تستقر السلطانية في موضع التعشيق ①.

٢ ركبي الملحق على محور الدوران الموجود في السلطانية. ملاحظة: يجب تركيب محور الدوران القابل للتركيب ② عند استخدام الأقراص أو السلطانية الصغيرة أو مضرب البيض أو أداة الطي.

• ركبي دائماً وعاء التقطيع والملحق في جهاز تحضير الطعام قبل إضافة المكونات.

٣ ركبي الغطاء العلوي ③ - مع التأكد من استقرار الجزء العلوي من محور الدوران/الأداة في مركز الغطاء العلوي.

• لن يعمل جهاز تحضير الطعام في حالة تركيب السلطانية أو الغطاء العلوي بطريقة غير صحيحة في موضع تعشيق القفل. تأكدي من توجيه أنبوب إدخال المكونات ومقبض السلطانية إلى الجانب الأيمن للجهاز.

٤ وصلي الجهاز بمصدر التيار الكهربائي. يضيء مؤشر تشغيل الطاقة "On Power" ويظل وامتصاً لحين تركيب السلطانية والغطاء العلوي بشكل صحيح في موضعهما. حددي أي من الخيارات التالية: - زر سرعة التشغيل التلقائية "Auto" - يضيء المؤشر عندما يتم الضغط على زر سرعة التشغيل التلقائية "Auto" ويتم اختيار السرعة المثالية للملحق المستخدم.

مفتاح تحديد السرعة "Speed Control" - اختاري السرعة المطلوبة يدوياً (راجع جدول السرعات الموصى بها).

التشغيل النبضي "Pulse" - استخدم مفتاح وضع التشغيل النبضي (P) للتشغيل لفترات قصيرة. يعمل وضع التشغيل النبضي طوال فترة الضغط على مفتاح التحكم.

٥ عند انتهائك من التجهيز، لفي مفتاح تحديد السرعة إلى موضع إيقاف التشغيل "O" أو في حالة استخدام وضع سرعة التشغيل التلقائية "Auto" اضغطي على الزر وسوف ينطفئ ضوء المؤشر.

• يومض مؤشر تشغيل الطاقة "Power On" في حالة عدم تركيب الغطاء العلوي أو السلطانية بشكل صحيح.

• لن يعمل زر سرعة التشغيل التلقائية "Auto" في حالة اختيار سرعة من متاح تحديد السرعات.

• أوقفي دائماً تشغيل الجهاز قبل إزالة الغطاء العلوي.

ملاحظة هامة

• جهاز تحضير الطعام غير ملائم لطحن حبوب القهوة أو تحويل حبيبات السكر إلى سكر بودرة.

وظيفة توفير الطاقة "Eco"

في حالة توصيل جهاز تحضير الطعام مع مصدر التيار الكهربائي لمدة تزيد عن ٣٠ دقيقة دون استخدامه، فسوف يدخل الجهاز في وضع الاستعداد لتوفير استهلاك الطاقة.

• يومض مؤشر تشغيل الطاقة "Power On" ببطء ولن يعمل جهاز تحضير الطعام حتى يتم اتخاذ أي من الإجراءات التالية:-

• الضغط على زر سرعة التشغيل التلقائية "Auto".

• إدارة مفتاح تحديد السرعة إلى أي من السرعات ثم إدارته مرة أخرى إلى موضع إيقاف التشغيل "O".

يتحول ضوء المؤشر إلى الثبات في حالة الجاهزية للاستخدام.

ملاحظة: في حالة عدم تعشيق السلطانية أو الغطاء العلوي جيداً في موضع التعشيق، ففي هذه الحالة يومض مؤشر تشغيل الطاقة "On Power" بصورة أسرع من وميض وظيفة توفير الطاقة "Eco".

استخدام الخلاط المقاوم للحرارة

١ ركبي حلقة الإحكام ⑮ على وحدة الشفرات ⑯ - مع التأكد من استقرار حلقة الإحكام في موضعها بشكل صحيح داخل التجويف.

• إذا كانت حلقة الإحكام تالفة أو غير محكمة بشكل صحيح فسوف يحدث تسريباً.

٢ أمسكي الجانب السفلي لوحدة الشفرات ⑯ وركبي الشفرات داخل الدورق - ثم أديرها في اتجاه عكس عقارب الساعة لإحكام القفل ④.

راجع الرسوم التوضيحية الموجودة على الجانب السفلي لوحدة الشفرات وهي كالتالي:

🔒 = موضع الفتح

🔒 = موضع القفل

• لن يعمل المسيل في حالة تركيبه بشكل غير صحيح.

٣ ضعي مكوناتك بداخل الدورق.

٤ ركبي الغطاء العلوي على الدورق وادفعيه لأسفل حتى يستقر في موضعه. ركبي غطاء فتحة التعبئة ⑤.

٥ ركبي الخلاط على وحدة الطاقة (الموتور) مع تدويره في اتجاه عقارب الساعة حتى يتم تعشيقه في موضع التثبيت ⑥.

• لن يعمل الجهاز في حالة تركيب المسيل بشكل غير صحيح مع تعشيق القفل.

٦ حددي زر سرعة التشغيل التلقائية "Auto" أو حددي السرعة المطلوبة يدوياً (راجع جدول السرعات الموصى بها) أو استخدم تحكم التشغيل النبضي.

السلامة

• مخاطر التعرض لحروق: يجب السماح بتبريد المكونات الساخنة إلى درجة حرارة الغرفة قبل عملية الخلط.

• توخي الحذر دائماً عند التعامل مع وحدة الشفرات وتجنبني لمس حافة القطع الخاصة بالشفرات أثناء التنظيف.

• يجب تشغيل المسيل فقط مع تركيب الغطاء العلوي في موضعه.

• استخدم الدورق فقط مع وحدة الشفرات المزودة.

• يحذر تشغيل المسيل فارغاً.

• لضمان الحصول على عمر تشغيلي طويل للمسيل، لا تشغيله لمدة أطول من ٦٠ ثانية.

• بالنسبة لوصفات المشروبات المخفوقة ذات الرغوة - لا تخلطي المكونات المجمدة التي تحولت إلى كتلة صلبة أثناء التجميد، ولكن هشميها إلى أجزاء قبل إضافتها إلى الدورق.

• هام - تم تركيب جوانب قاعدة الدورق أثناء التصنيع ولا يجب محاولة إزالتها.

قبل استخدام جهاز Kenwood

- اقرأ التعليمات التالية واحتفظي بها في المتناول للاستخدامات المستقبلية المرجعية.
- أزيلتي مكونات التغليف وأية ملصقات.

السلامة

- الشفرات وأسطح القطع حادة، يجب التعامل معها بمنتهى الحذر. امسكي دائماً نصل السكين بقبضة الإصبع من الجزء العلوي بعيداً عن حافة التقطيع، سواء عند الاستخدام أو التنظيف.
- لا تقومي برفع أو حمل جهاز تحضير الطعام من المقبض - حيث قد ينكسر المقبض مما ينتج عنه حدوث إصابات.
- أزيلتي سكين التقطيع دائماً قبل صب المحتويات من وعاء التقطيع.
- أبقى على يديك وأدوات المطبخ خارج وعاء التقطيع ودورق المسيل أثناء التوصيل مع مصدر التيار الكهربائي.
- قومي بإيقاف تشغيل الجهاز وفصله عن مصدر التيار الكهربائي:-
 - قبل تركيب وإزالة الأجزاء؛
 - في حالة عدم الاستخدام؛
 - قبل التنظيف.

- لا تستخدمي أصابعك لدفع الطعام خلال أنبوب التغذية. استخدمي دائماً عصا دفع المكونات المزودة.
- يحذر تركيب وحدة الشفرات على وحدة الطاقة (الموتور) بدون تركيب دورق الخلاط أو القطاعة/المفرمة الصغيرة.
- قبل إزالة الغطاء العلوي عن السلطانية أو الخلاط أو القطاعة/المفرمة الصغيرة عن وحدة الطاقة (الموتور):-
 - أوقفني تشغيل الجهاز؛
 - انتظري حتى توقف الملحقات/الشفرات تماماً عن الحركة؛
 - توخي الحذر حتى لا ينفصل دورق الخلاط أو القطاعة/المفرمة الصغيرة عن وحدة الشفرات.

- مخاطر التعرض لحروق: يجب السماح بتبريد المكونات الساخنة إلى درجة حرارة الغرفة قبل عملية الخلط.
- لا تستخدمي الغطاء العلوي لتشغيل جهاز تحضير الطعام، استخدمي دائماً زر تحكم السرعة On/Off (تشغيل/إيقاف).
- سيتلف الجهاز وقد تحدث إصابات في حالة تعرض آلية التعشيق لقوة مفرطة.
- افضلي دائماً جهاز تحضير الطعام عن مصدر التيار الكهربائي في حالة عدم استخدامه.

- يحذر استخدام أي ملحقات غير معتمدة.
- لا تتركي الجهاز دون ملاحظة أثناء تشغيله.
- يحذر استخدام الجهاز في حالة تلفه. في مثل هذه الحالة، يجب فحص الجهاز أو إصلاحه: راجعي قسم "الصيانة ورعاية العملاء".
- يحذر تعرض وحدة الطاقة أو السلك الكهربائي أو قابس التوصيل للماء.
- لا تسمحي بتدلي السلك الكهربائي الزائد عن طاولة العمل ولا تسمحي له أيضاً بالتلامس مع أسطح ساخن.
- لا تتجاوزي السعات القصوى الموصى بها والمحددة في جدول السرعات.
- هذا الجهاز غير مخصص للاستخدام من قبل أشخاص (بمن فيهم الأطفال) ذوي انخفاض في القدرات الجسدية أو الحسية أو العقلية أو لمن دون خبرة أو معرفة بالجهاز، ما لم يتم الإشراف عليهم أو إعطائهم تعليمات بشأن استخدام الجهاز من قبل الشخص المسؤول عن سلامتهم.
- يجب الإشراف على الأطفال للتأكد من عدم عبثهم بالجهاز.
- استخدمي الجهاز فقط في الاستخدامات المنزلية المخصص لها. لن تتحمل شركة Kenwood أية مسؤولية في حالة استخدام الجهاز بطريقة غير صحيحة أو عدم الامتثال للتعليمات المذكورة.
- قد يؤدي سوء استخدام جهاز تحضير الطعام/المسيل إلى حدوث إصابات.
- تعتمد السعة القصوى على الملحقات المستخدم والذي يستمد حمل أكبر بعض من الملحقات الأخرى قد تستمد حمل أقل.
- راجعي القسم ذي الصلة من خلال قسم "استخدام الملحقات" لمعرفة المزيد من تحذيرات السلامة بالنسبة لكل ملحقات على حدة.

قبل التوصيل بالكهرباء

- يجب التأكد من تماثل مواصفات المصدر الكهربائي مع المواصفات الموضحة على الجانب السفلي للجهاز.
- يتوافق هذا الجهاز مع توجيهات الاتحاد الأوروبي 2004/108/EC بشأن التوافق الكهرومغناطيسي وتنظيمات الاتحاد الأوروبي رقم 1935/2004 الصادرة بتاريخ ٢٧/١٠/٢٠٠٤ والمتعلقة بالمواد المتلامسة مع الأطعمة.

قبل الاستعمال للمرة الاولى

- ١ أزيلتي أغشية النصل البلاستيكية عن سكين التقطيع. توخي الحذر فسكين التقطيع حاد جداً. يجب التخلص من هذه الأغشية حيث أنها مزودة لحماية سكين التقطيع أثناء التصنيع والنقل.
- ٢ اغسلي الأجزاء "راجعي قسم الرعاية والتنظيف".

مفتاح الرموز

جهاز تحضير الطعام

- ① وحدة الطاقة
- ② سلطانية Tritan™ مع محور الدوران
- ③ عمود ادارة قابل للفصل
- ④ غطاء Tritan™
- ⑤ انبوب التغذية
- ⑥ دافعات
- ⑦ أقفال الأمان
- ⑧ مخزن السلك (في الخلف)
- ⑨ زر التشغيل التلقائي "Auto"
- ⑩ مفتاح التحكم في السرعة/التشغيل النبضي
- ⑪ ضوء التشغيل

الخلاط المقام للحرارة

- ⑫ فتحة التعبئة
- ⑬ غطاء
- ⑭ الدورق
- ⑮ حلقة إحكام الإغلاق
- ⑯ وحدة الشفرة
- ⑰ هوابات فتحة التعبئة

قطع ملحقة اضافية

- ⑱ شفرة السكين
- ⑲ أداة العجن
- ⑳ خفاقة البيض الثنائية
- ㉑ أداة الطي
- ㉒ قرص السعة القصوى
- ㉓ قرص التقطيع الرفيع/التقطيع الطولي (البشر) ٤ مم
- ㉔ قرص التقطيع الرفيع/التقطيع الطولي (البشر)
- ㉕ قرص التقطيع الطولي (البشر) الناعم
- ㉖ قرص تقطيع أصابع رفيعة
- ㉗ السلطانية الصغيرة والشفرات
- ㉘ صندوق تخزين الملحقات
- ㉙ القطاعة/المفرمة الصغيرة (ملحق اختياري)



HEAD OFFICE: Kenwood Limited, 1-3 Kenwood Business Park, New Lane, Havant, Hampshire PO9 2NH

kenwoodworld.com

KENWOOD

CREATE MORE